

PRODUCT PROFILE

FC100-5114-2

Swimming Pool Heat Exchanger

Introduction

The Bowman FC100-5114-2 is an efficient shell and tube heat exchanger which is suitable for heating swimming pools up to 180 m³, via a boiler heat source. It is easily installed into the pool pipework, has an integral thermostat pocket and is available with either a titanium, cupro-nickel, or stainless steel tube core.

Typical Heat Transfer

Boiler heating – 100kW



Product Benefits

Proven – heats pools fast, reducing energy costs

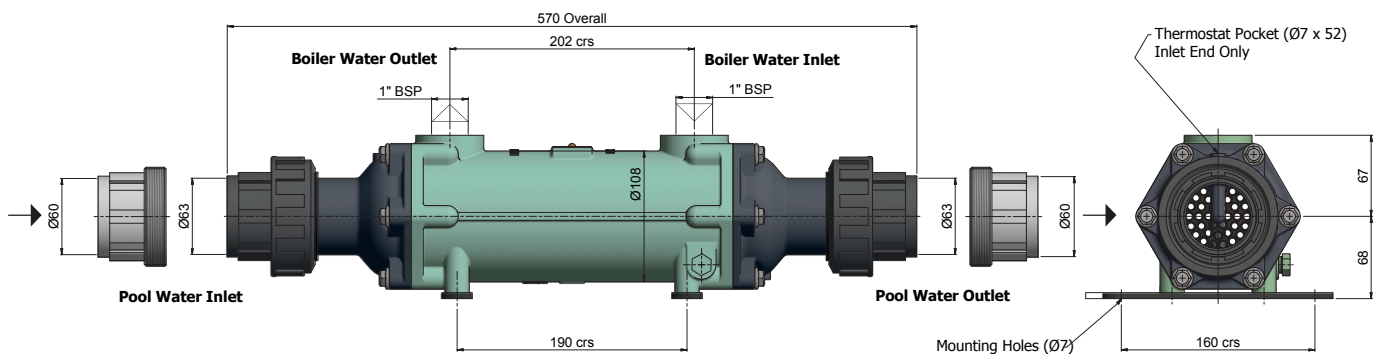
Easy to install – solvent weld end covers with thermostat pocket

Durability – salt water and mineral rich fresh water compatible

Simple to maintain – easy disassembly for routine maintenance

Titanium models – full 10 year warranty on titanium materials

Specification



All dimensions in mm (except threaded connectors)

Type	Tube Material	Typical Pool Capacity		Maximum Pool Water Flow		Maximum Hot Water Temp		Max. Operating Pressure Pool Water		Max. Operating Pressure Hot Water		Weight
		m ³	gal	m ³ /h	l/min	°C	°F	bar	psi	bar	psi	
FC100-5114-2C	Cupro-nickel	170	37,000	21.0	350	110	230	6	87	6	87	8.8
FC100-5114-2S*	Stainless Steel	180	39,500	22.8	380	110	230	6	87	6	87	8.8
FC100-5114-2T	Titanium	180	39,500	22.8	380	110	230	6	87	6	87	7.8

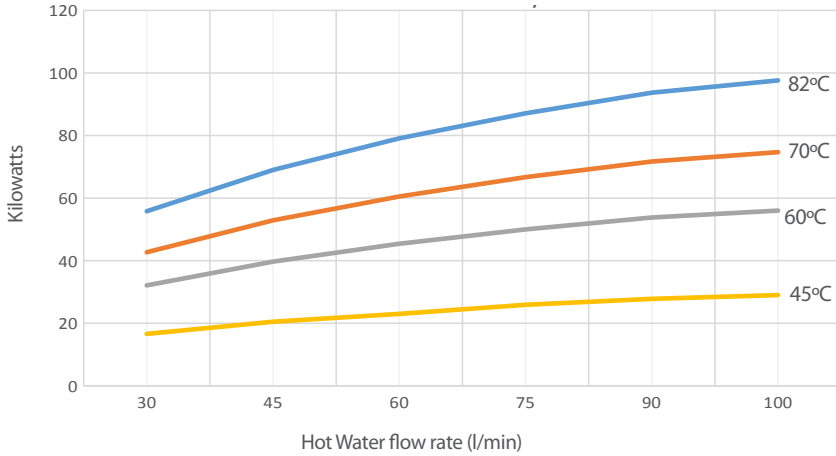
*Not suitable for use on pools fitted with salt water chlorinators or salt water pools.

Water Flow

As the graphs and table below illustrate, providing the right water flow volume is vital to the performance of the heat exchanger. If the flow rate of either the hot water supply, or the pool water circuit is too low, the heat exchanger will not perform at its designed efficiency and will be unable to transfer all the available heat energy in to the pool water.

For more information please visit; <https://ej-bowman.com/knowledge-centre/why-doesn't-my-pool-heat-up-faster/>

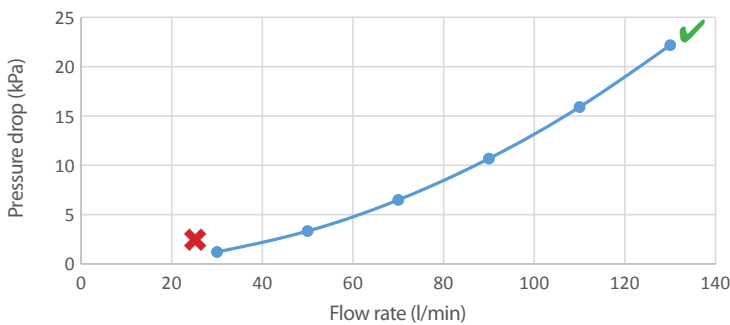
Heat Transfer



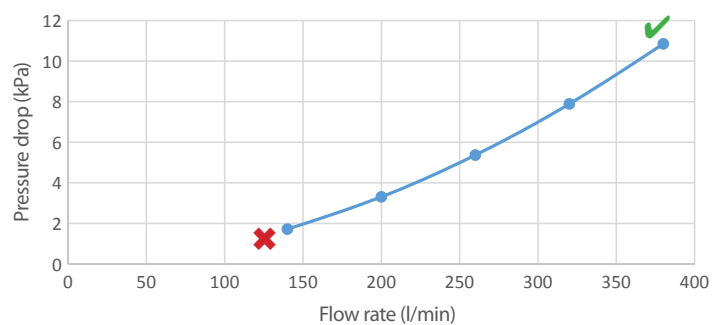
kW Heat Transfer - FC100-5114-2
Pool water flow 350 l/min at 28°C

Hot Water Flow rate l/min	Temperature & Heat Transfer			
	82°C kW	70°C kW	60°C kW	45°C kW
30	56	43	32	17
45	69	53	40	21
60	79	61	45	23
75	87	67	50	26
90	94	72	54	28
100	98	75	56	29

Pressure Drop Hot Water (Shell Side)



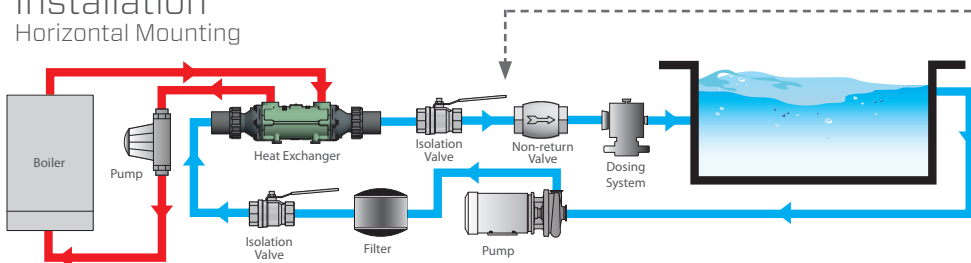
Pressure Drop Pool Water (Tube Side)



✓ Optimum heat transfer performance ✗ Reduced heat transfer performance

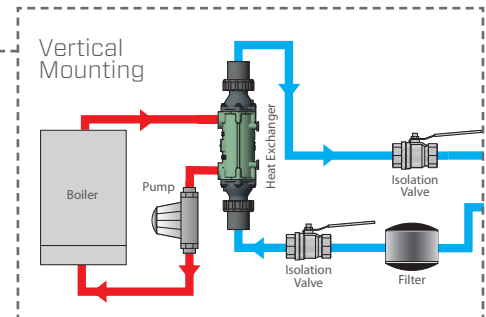
Installation

Horizontal Mounting



If an automatic dosing system is added, it must be installed after the heat exchanger on the return to the pool.

Vertical Mounting



EJ Bowman (Birmingham) Ltd

Chester Street, Birmingham B6 4AP, UK
Tel: +44 (0) 121 359 5401 Fax: +44 (0) 121 359 7495
Email: sales@ej-bowman.com www.ej-bowman.com



All material contained in this leaflet is the intellectual property of EJ Bowman (Birmingham) Ltd. It is protected under copyright and may not be reproduced without prior written consent from the company. EJ Bowman (Birmingham) Ltd reserve the right to change specifications at any time without prior notice.