

LTECH



LED Controller WiFi RGBW - WiFi-104

Datasheet

www.ltech-led.eu | ©2019 | Ltech Europe | All Rights Reserved.

Technical Specs

General

Functions	Wifi, Remote
-----------	--------------

Lighting specs

Color range	RGBW
-------------	------

Electronics

LED Output Current (max per o 4A	
Current max.	16A
Power Supply	Not applicable
LED outputs	4
LED Output Voltage	12-24V
Output power	192W @ 12V, 384W @ 24V

Control Characteristics

Output	PWM-CV
Dimming Protocol	2,4 GHz, Wifi
Number of channels	4
Dimming Range	0~100%
Driver Configuration	Buttons Control Panel

Wiring Specifications

Wire type	2,5mm2
Wire Strip Length	5mm

Protection

Reverse Polarity	Yes
LED Output Short	Yes
Overload	Yes
Restart after protection	Yes

Environmental

Ingress protection	IP44
Operating temperature	-20 ~ 50 °C

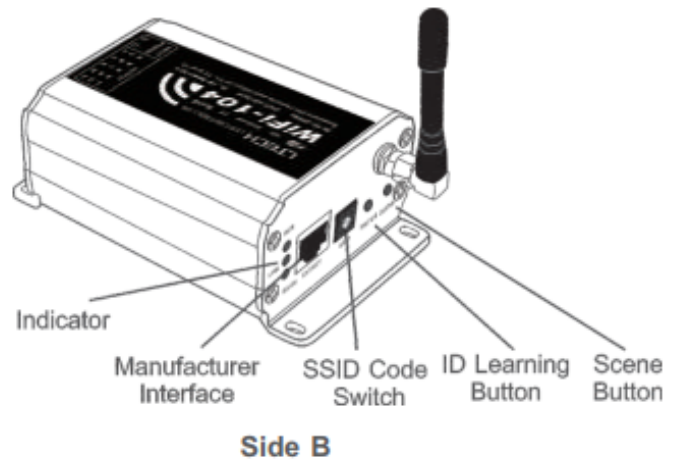
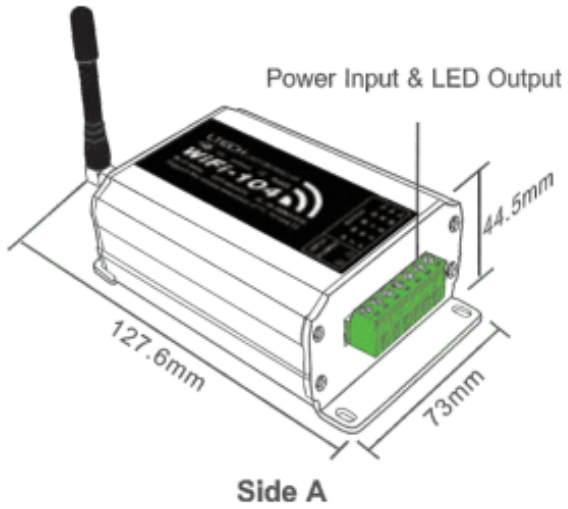
Regulations

Approvals

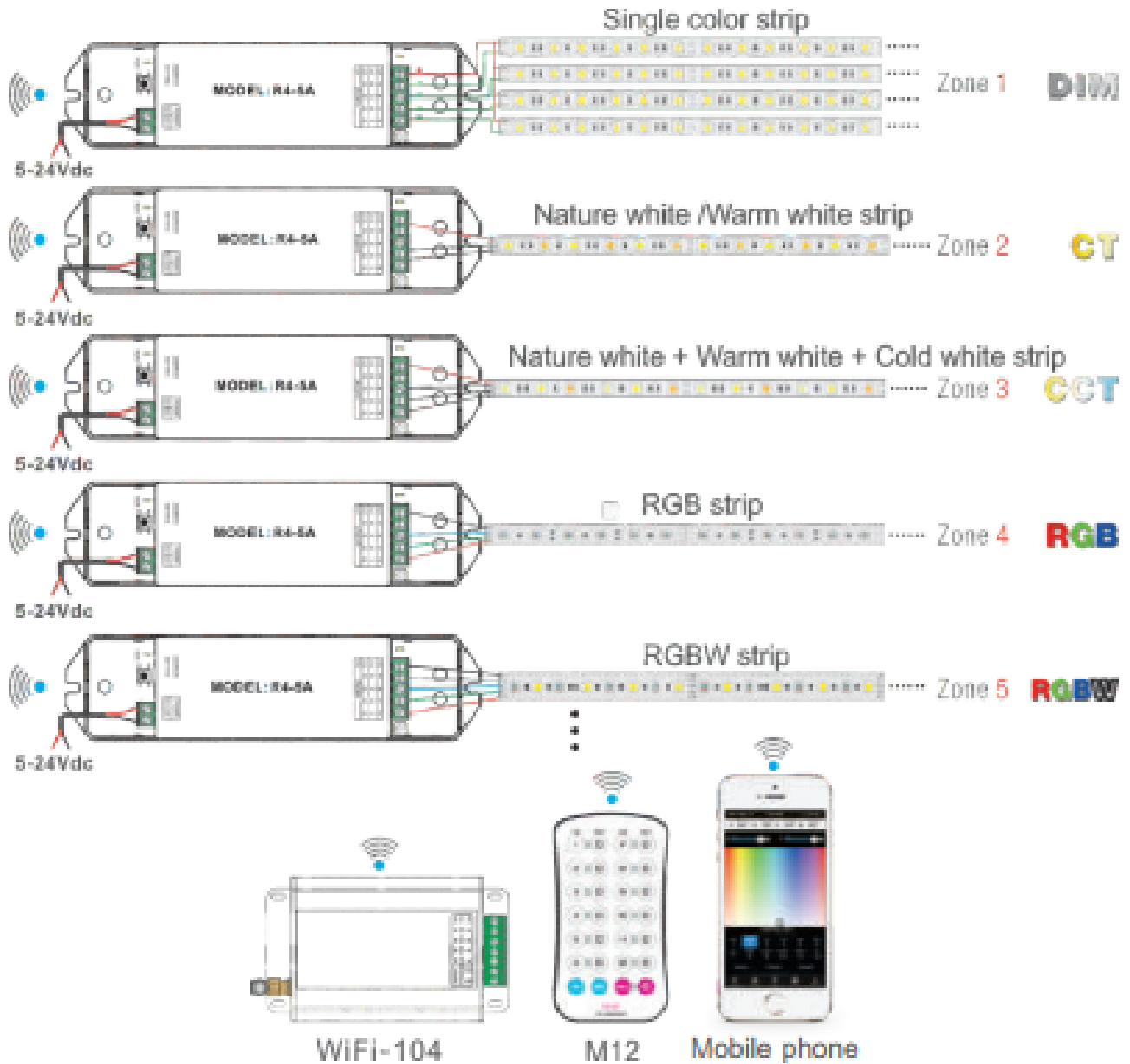
CE EMC	√
FCC	FCC Part 15:2009
RoHS2	√

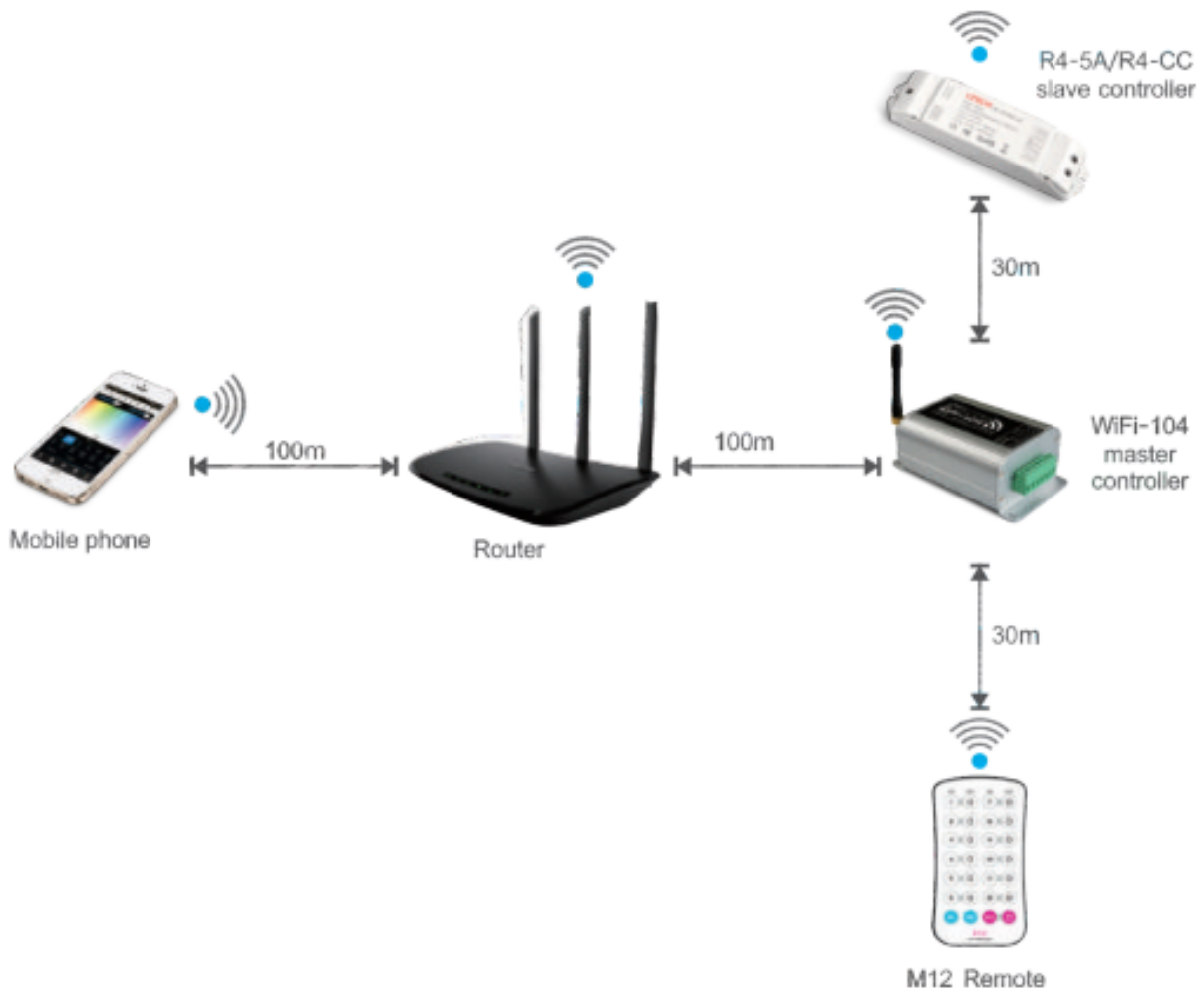


Technical Drawings



Wiring Diagrams





Order information

Code	Description
22559	LED Controller WiFi RGBW - WiFi-104

Related Products

Product name	
LED Receiver WiFi/DX/V 4x3A - R4-3A	See Online
LED Receiver Wifi/DX/V 4xCC - R4-CC	See Online
LED Receiver WiFi/DX/V 4x5A - R4-5A	See Online
LED Remote - V1	See Online
LED Remote - V2	See Online
LED Remote - V3	See Online
LED Remote - V4	See Online
LED Remote - V5	See Online
LED Remote - V6	See Online
LED Remote - V8	See Online
LED Touch Panel RGBW DMX/RF/WIFI - UX8	See Online
LED Touch Panel DIM DMX/RF/WIFI - UX1	See Online



