

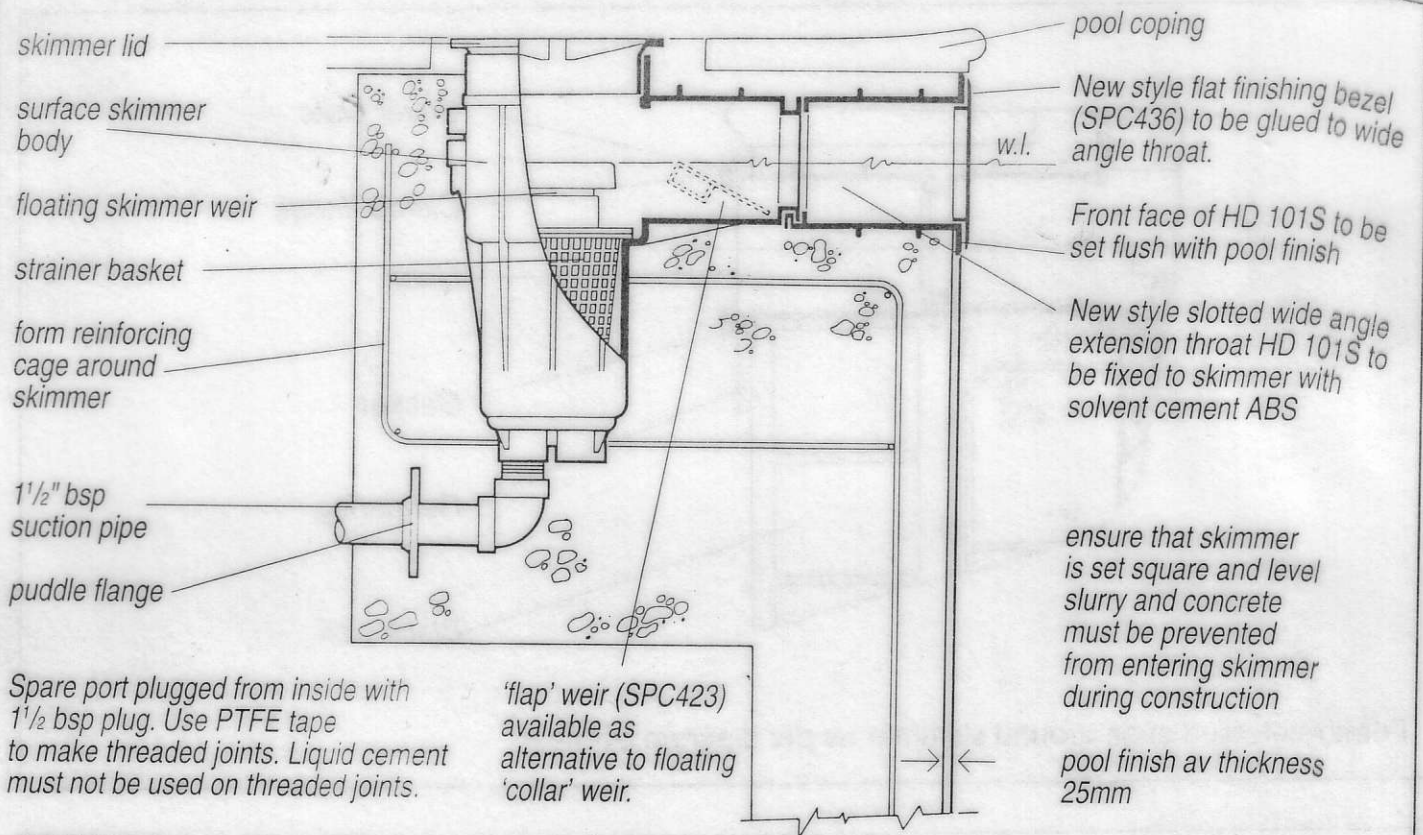
Certikin

Witan Park, Avenue 2, Station Lane Industrial Estate
Witney, Oxon OX8 6FH

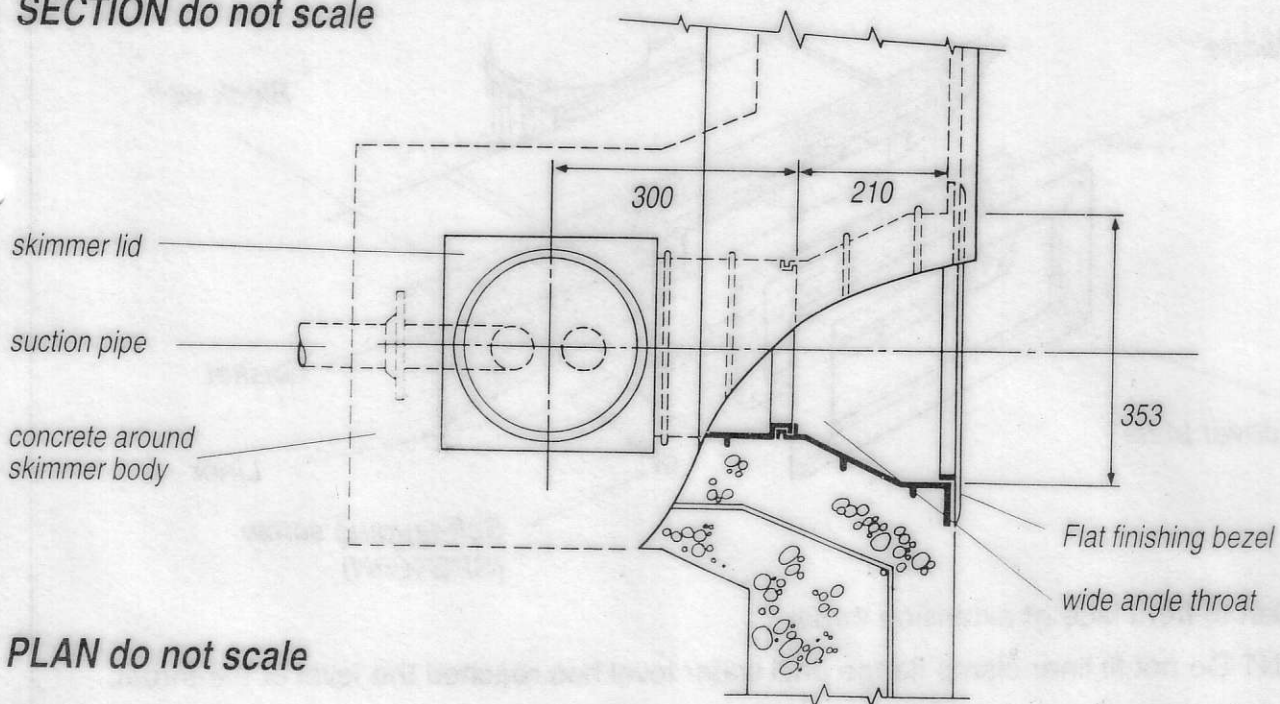
UK Tel: 01993 778855 UK Fax: 01993 778620

Overseas Tel: 44 1993 700744 Overseas Fax: 44 1993 708499

PART Nos HD 100SN & HD 101S SURFACE WATER SKIMMER W/A EXTENSION THROAT FOR CONCRETE POOL INSTALLATION



SECTION do not scale



PLAN do not scale

IMPORTANT

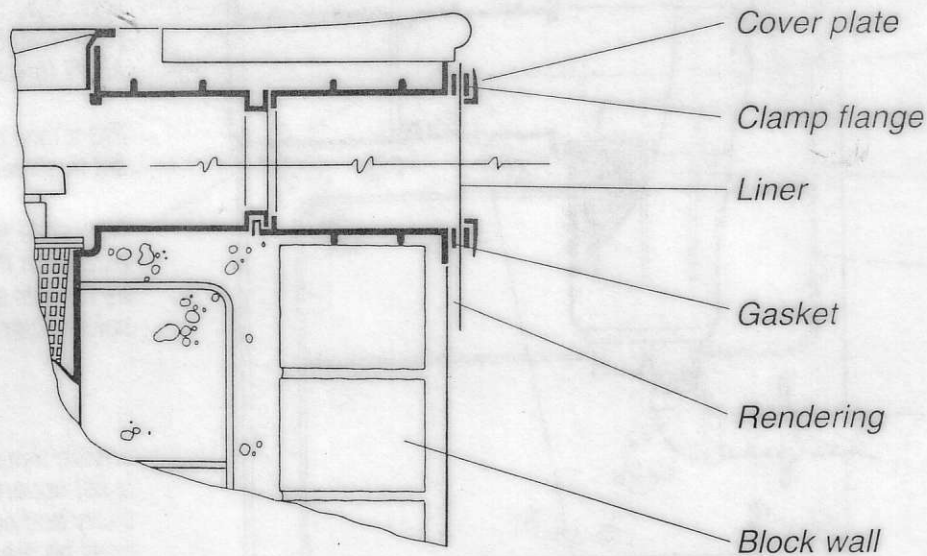
ALL PIPEWORK AND POOL FITTINGS MUST BE PRESSURE TESTED BEFORE BACKFILLING

Certikin

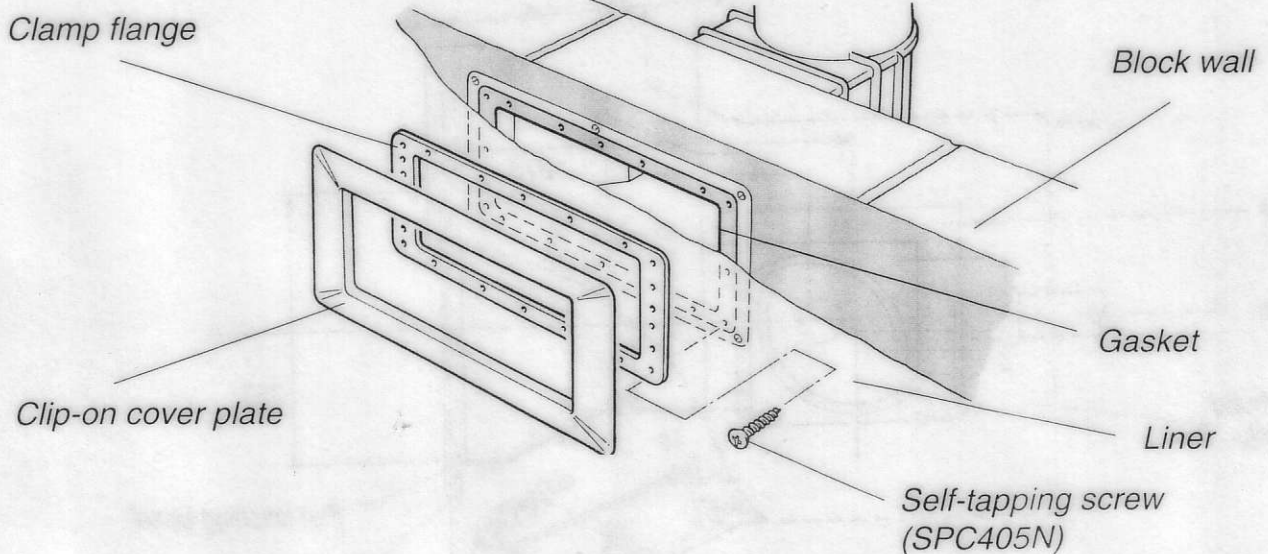
Witan Park, Avenue 2, Station Lane Industrial Estate
Witney, Oxon OX8 6FH

UK Tel: 01993 778855 UK Fax: 01993 778620
Overseas Tel: 44 1993 700744 Overseas Fax: 44 1993 708499

PART Nos HD 100SN & HD 101SL SURFACE WATER SKIMMER W/A EXTENSION THROAT FOR CONCRETE BLOCK-WALLED LINER POOL INSTALLATION



Form reinforced cage around skimmer as per diagram overleaf.



Apply gasket to front face of extension throat.

IMPORTANT Do not fit liner clamp flange until water level has reached the level of the throat.

After liner is in place, feel through liner for holes in gasket/throat face and offer clamp flange to throat ensuring all 16 holes are aligned. Using self-tapping screws provided, secure clamp flange to throat through pool liner and gasket.

Carefully cut liner material from centre of throat aperture. Finish using clip-on cover plate.

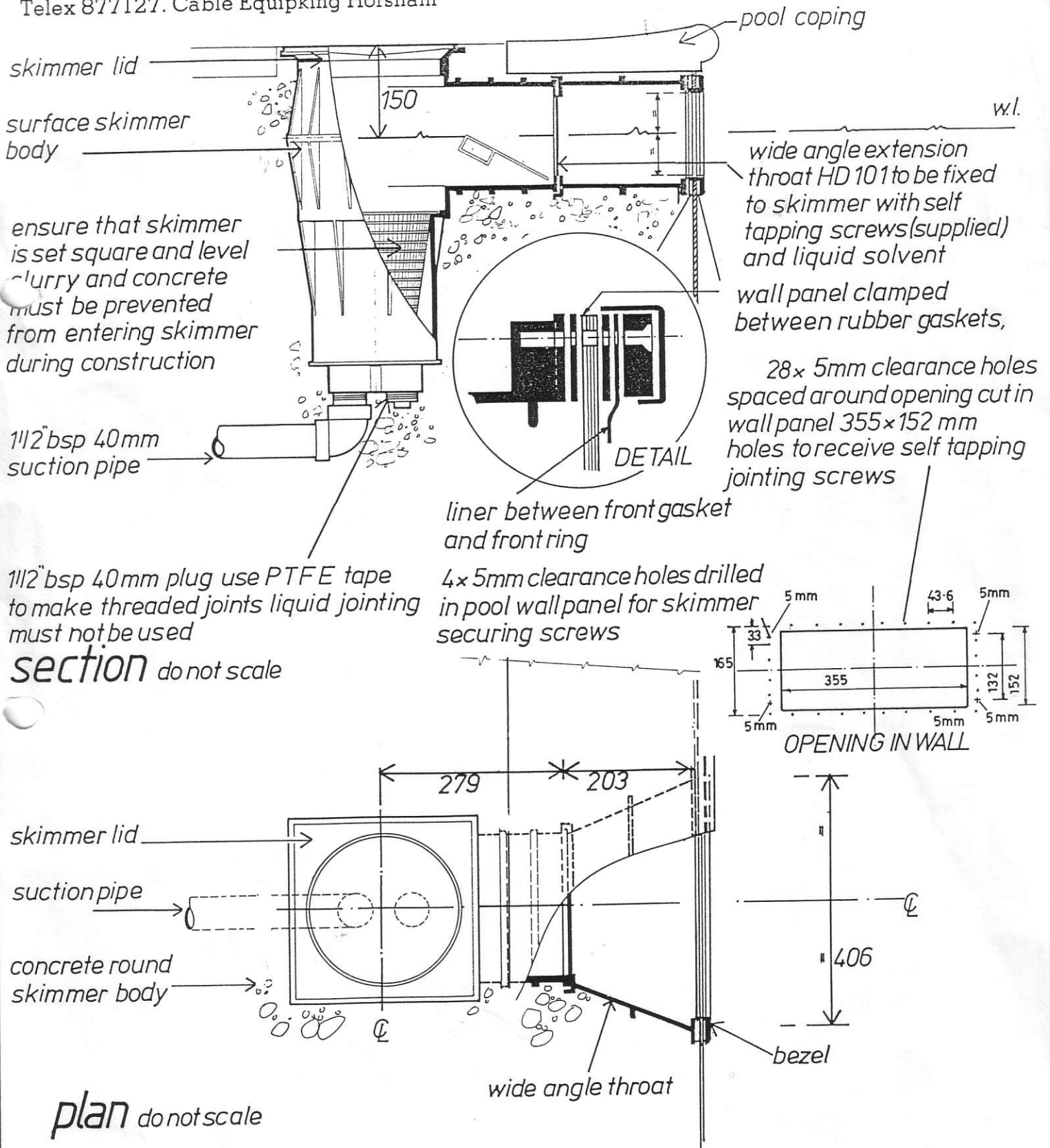
Britain's Leading Manufacturers of
Swimming Pool Equipment.

Partridge Green, Horsham, Sussex, England.
Telephone: UK Sales Line (0403) 710820
Overseas Direct Sales Line (403) 710859
Telex 877127. Cable Equipking Horsham

PART N° HD 100

HD 101 L

SURFACE WATER SKIMMER W/A EXTENSION THROAT

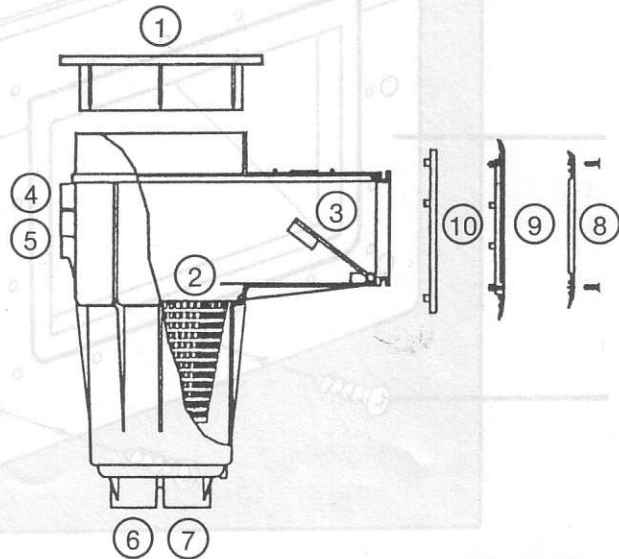


important

ALL PIPEWORK AND POOL FITTINGS MUST BE PRESSURE TESTED BEFORE BACKFILLING

HD100N SURFACE WATER SKIMMER UNIT Installation Instructions HD100NL Surface Water Skimmer for liner pool construction

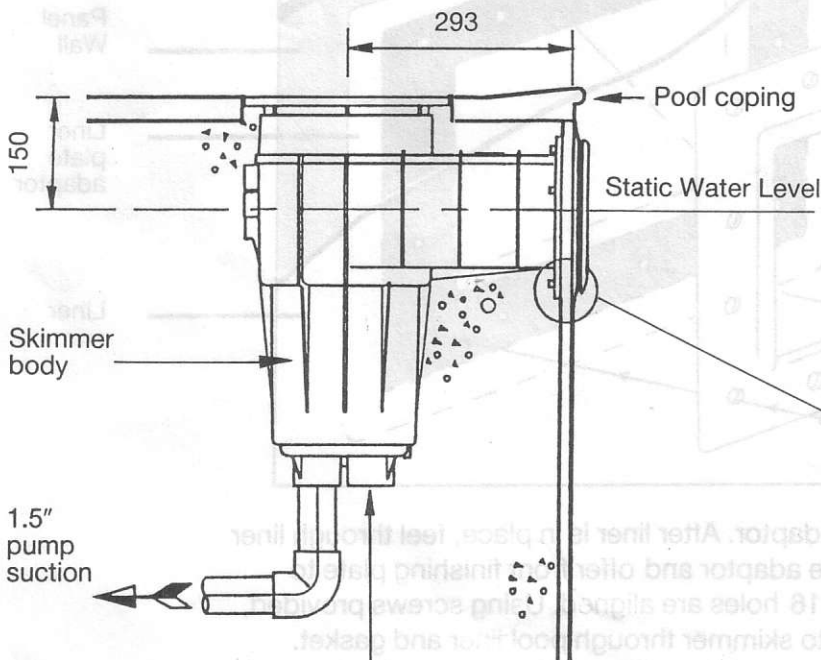
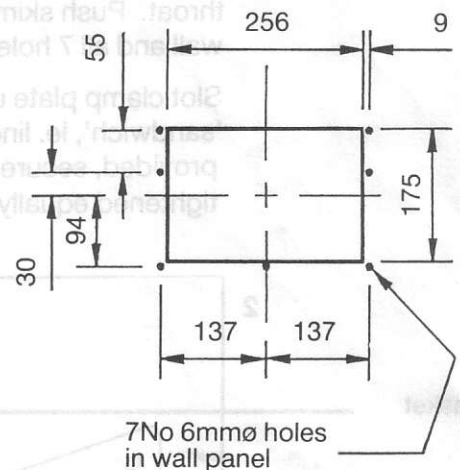
- ① Height adjustable lid covered in protective film (to be removed when pool complete)
- ② Strainer basket
- ③ Weir plate
- ④ 1" metric/imperial water fill-up connection port with knockout
- ⑤ 1" metric/imperial overflow connection port with knockout
- ⑥ 1.5" imperial pump suction connection
- ⑦ 1.5" metric equivalent pump suction connection
- ⑧ Front finishing plate
- ⑨ 2 part liner plate adaptor
- ⑩ Clamp plate



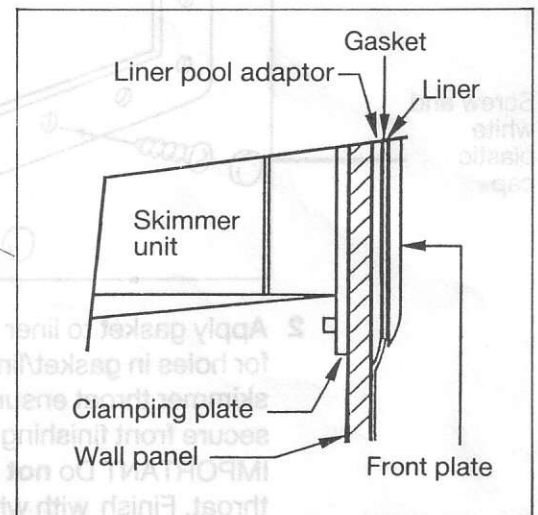
NOTES:

- 1) Ensure that skimmer is set square and level.
- 2) Debris and concrete should be prevented from entering skimmer unit during construction.
- 3) Liner pool adaptor plate should be used as a template for 7 No holds after aperture has been cut out.
- 4) Liner should be trimmed out as tightly to inside edge of skimmer throat as possible.
- 5) Any threaded connections should be made with PTFE tape, NOT liquid jointing.

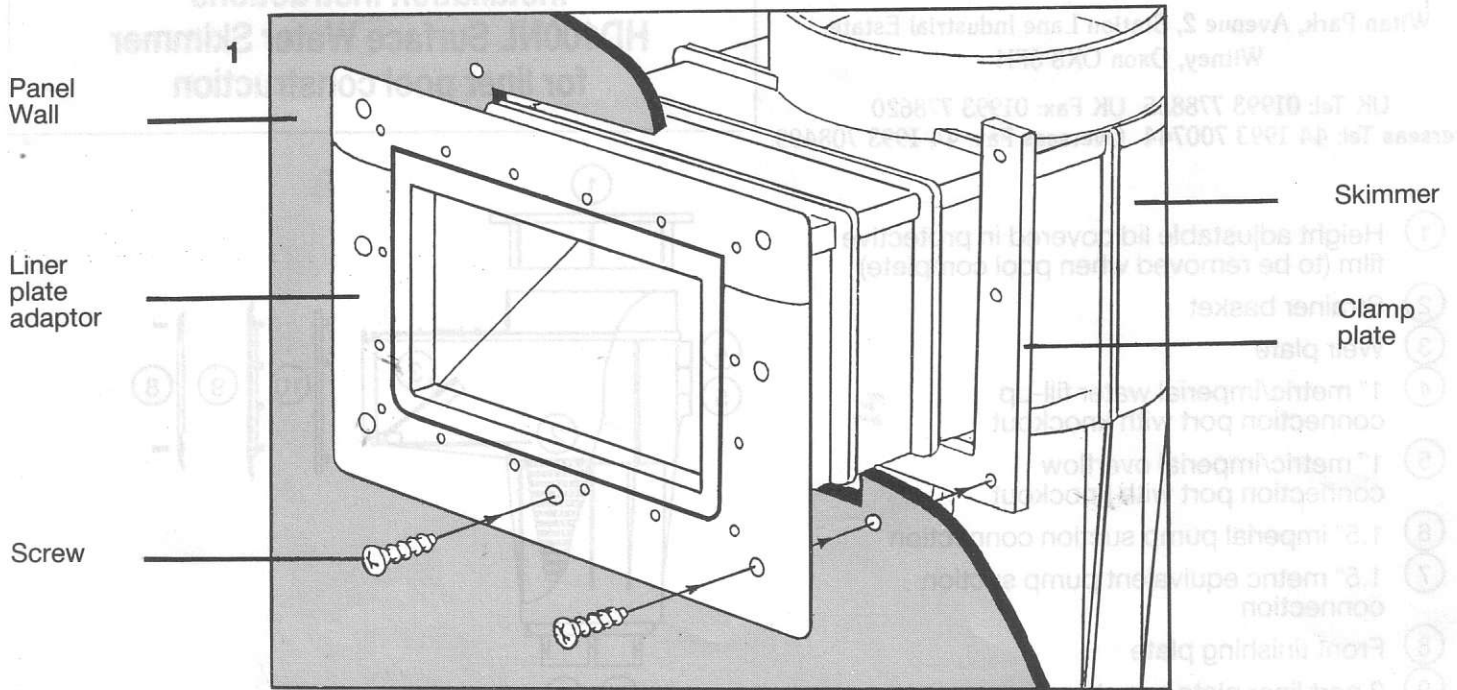
Wall aperture requirements



Spare port plugged with 1.5" BSP threaded (Certikin HD8) plug from inside

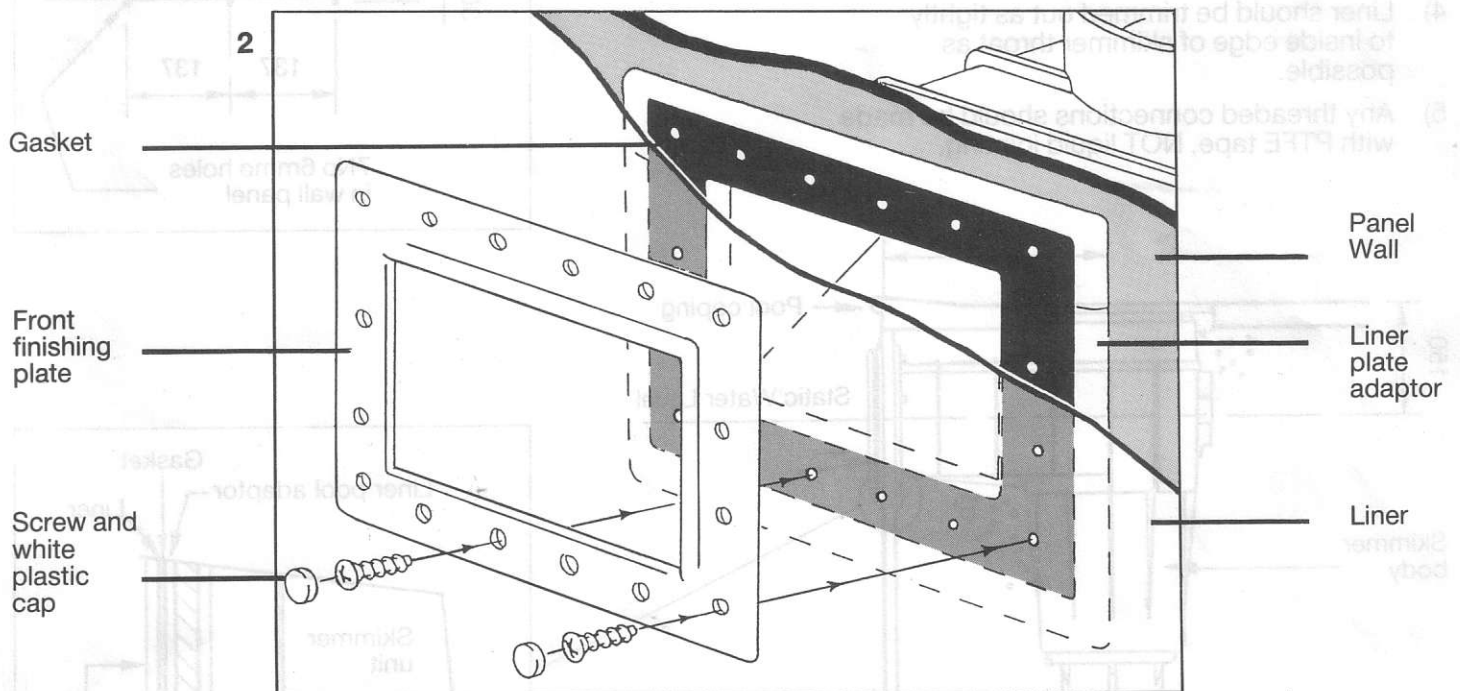


INSTALLATION OF CERTIKIN HD100LAK SKIMMER LINER ADAPTOR KIT



- 1 Pass skimmer throat through panel wall aperture (see overleaf for details of aperture) and clip 2-part liner plate adaptor onto recess on skimmer throat. Push skimmer back through wall until liner adaptor touches panel wall and all 7 holes are aligned.

Slot clamp plate under skimmer throat and bring up to the wall forming a 'sandwich', ie. liner plate adaptor – panel wall – clamp plate. Using screws provided, secure all parts together. NB. It is important that screws are tightened equally and are not over-tightened.



- 2 Apply gasket to liner plate adaptor. After liner is in place, feel through liner for holes in gasket/liner plate adaptor and offer front finishing plate to skimmer throat ensuring all 16 holes are aligned. Using screws provided, secure front finishing plate to skimmer through pool liner and gasket. **IMPORTANT** Do **not** use screws until water level has reached skimmer throat. Finish with white plastic caps.

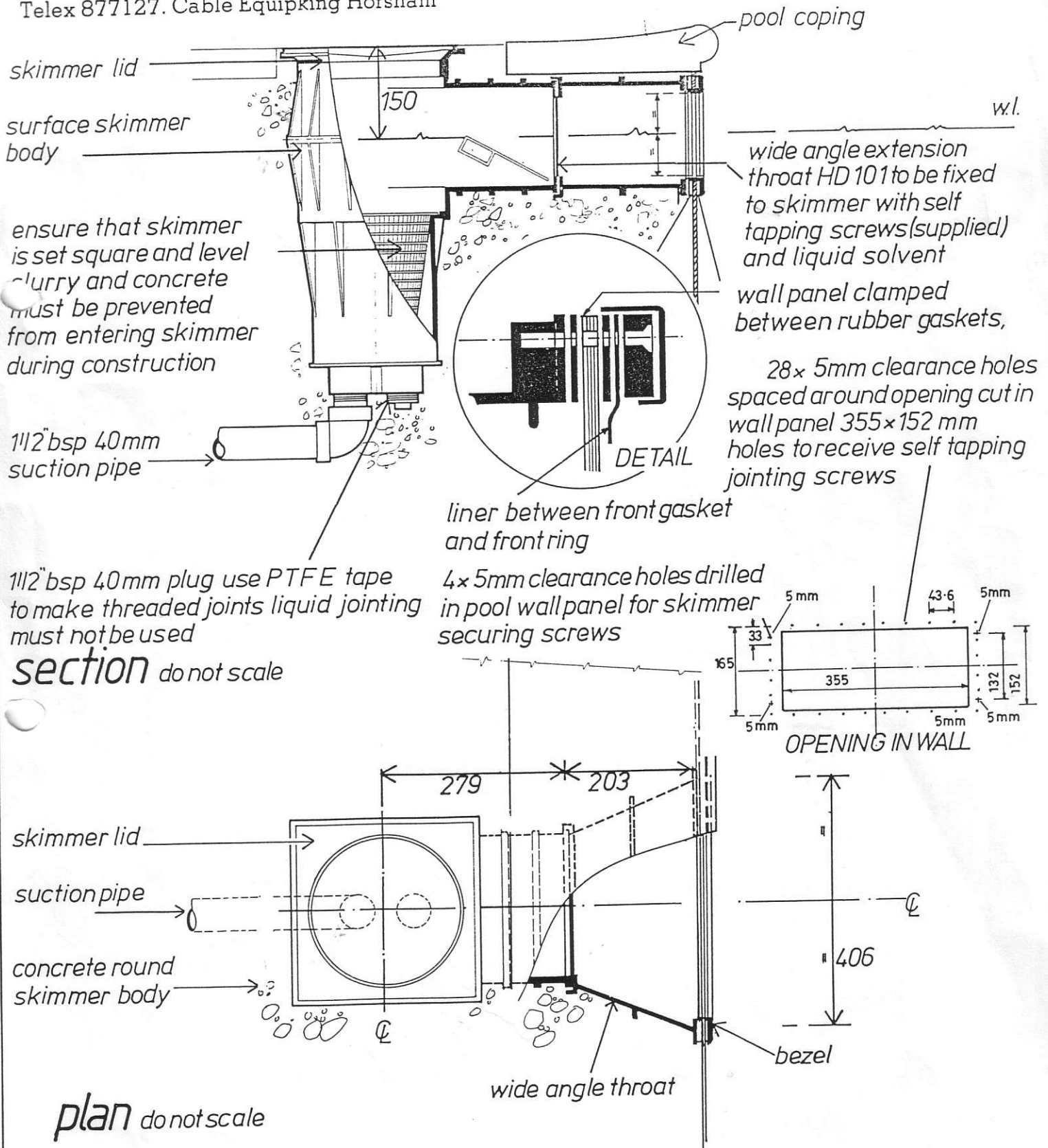
Britain's Leading Manufacturers of
Swimming Pool Equipment.

Partridge Green, Horsham, Sussex, England.
Telephone: UK Sales Line (0403) 710820
Overseas Direct Sales Line (403) 710859
Telex 877127. Cable Equipking Horsham

PART N° HD 100

HD 101 L

SURFACE WATER SKIMMER W/A EXTENSION THROAT



important

ALL PIPEWORK AND POOL FITTINGS MUST BE PRESSURE TESTED BEFORE BACKFILLING