

Certikin
international ltd

UNDERWATER LIGHTING

FEATURES

- For use in concrete, liner panel and concrete shuttered pools.
- Complete kits include wet niche, flexible conduit, cover plate, lens cover, sealed lamp housing with 300 watt 12v bulb or 100w 12v 3000 hour halogen lamp.
- Now supplied with factory fitted easy-change 'super strength' clear safety cover.
- Clip-on-faceplate on liner light to cover unsightly screw heads.
- Easy-to-secure cover plate to finish off concrete pool light.
- Niche designed to angle light beam down 5 degrees to eliminate pool side glare.
- Light housing units available in 2.8m, 5m, and 8m cable lengths.
- Deck box fitted with a double o'ring seal to achieve protection rating IP65.
- Transformer has a protection rating of IP65 with variable voltage output and thermal safety cut-out.
- Lights fitted with corrosion-resistant nickel plated inserts.
- Micallef style glands inside niche and deck box prevent water entering the conduit.
- Built in gland on light housing rated IP68.
- Locating lugs and combination pozi-drive/slotted housing screws for quick and easy bulb changing.
- Micallef fittings ensure conduit can be easily cut to length on site.



Certikin's range of top quality swimming pool equipment is designed for all types of swimming pools. This brochure shows just one of the many product ranges available from your Certikin pool equipment supplier. By using only Certikin equipment you will ensure ease of supply now and in the future.

Underwater Light PU9

The Certikin underwater light incorporates features absent from other underwater systems. The unique Micallef fittings at the niche and deck box enable the installer to fit non-standard conduit lengths. 15m reels are available – part no. **SPC464**.

Every light comes complete with a factory fitted clear polycarbonate safety cover (**PU15C**). Also available in blue, red and green, these can be purchased along with a compatible front plate to suit existing installations (**PU15N**).

Every light comes with a finishing fascia ring. The liner/shutter version clips onto the clamp plate hiding unsightly screw heads; the concrete version is easily fitted to the niche surround and is designed to cover tiling edges.

The fascia rings are compatible with all Certikin underwater lights manufactured since 1968 and are available as spares for retro-fitting (Concrete – **SPC475**; Liner **SPC476**).

Bulb changing is now easier than ever with combination pozidrive/slotted screw heads, locating lugs and high-tech nickel plated inserts.

The niche is cleverly designed to angle the beam down by 5 degrees which means the lights can be positioned to accomplish the optimum effect in the pool without glare at the poolside.

PU9CS 300W 12V for concrete pools

PU9LS 300W 12V for liner pools

PU9CLS 300W 12V for concrete

‘shutter’ pools

PU9CH 100W 11.5V Halogen for concrete

PU9LH 100W 11.5V Halogen for liner pools

PU9CLH 100W 11.5V Halogen for concrete ‘shutter’ pools

Replacement sealed unit PU93S/H/ST

Replacement ‘guts’ units with conventional or halogen bulbs **PU93S** or **PU93H**. Each pack includes the entire internal unit for the PU9 light, a new **PU10N** deck box lid, screws and a pull string for easy installation.

PU9HG. For all existing Certikin halogen light installations, the **PU9HG** unit provides the easiest possible bulb change. Simply unplug the quick release cable at the pool side and plug in the new unit. The ‘no-frills’ **PU9HG** is available at a reduced retail price.

PU9ST – Alternative to **PU93S** gut pack comes complete with stainless steel front plate.

Replacement bulb kits PU8 & SPC556HN

The **PU8** is the only replacement bulb kit suitable for the conventional 300 watt light, it is supplied complete with accessories essential when changing the bulb – o’ring, terminal screws and emery paper for cleaning the cable terminals.

The MK2 halogen bulb kit (**SPC556HN**) includes a replacement bulb, a cleaning cloth for polishing the stainless steel reflector and a replacement o’ring.

Deck Box PU10N

Deck mounted junction box for connecting the cables between the u/w light and the transformer. The **PU10N** has a square frame to make tiling easier and its double o’ring sealing system makes it IP65 – jet proof and water tight.

Transformers PU11S – PU11H/4 – PU11H

Specially designed for use with conventional lighting systems, the **PU11S** 300W 12V transformer incorporates features not available on cheaper alternatives such as a manually resettable thermal cut out. The output voltage is simply adjusted by the correct connection of the mains (primary) to the 13v, 14v, 15v, or 16v tapping giving the correct voltage at the lamp by compensating for losses along the cable.

The **PU11H/4** 4 x 100W transformer is designed for use when fitting multiple halogen light systems. One transformer can operate up to four separate lights within a range of 34 metres.

The **PU11H** 100W transformer is used when only one halogen light is to be fitted, the voltage output can be varied using one of the 13v or 14v tappings.

Underwater Light Remote Controller PU9RR and PU9RC.

The easy-to-fit underwater light remote control receiver is designed to switch multiple light systems. One receiver will activate up to 2no. 300w lights or 6no. 100w lights within a range of 50 metres.

These controllers can also be used

to control a wide range of household electrical appliances such as garage doors and garden lights.

**Underwater light connector
PU9UC**

The u/w light 'quick release connector' (**PU9UC**) rated as IP68 – completely submersible – this optional accessory can be fitted to the cable of existing conventional underwater lights. Designed to be wired in minutes it means that future bulb changing can be carried out away from the poolside.

**Halogen Light 1.5v Voltage
Dropper PU11HD**

In line voltage dropper. For use when fitting new halogen bulbs into existing conventional lighting/transformer installations, when the on-load voltage cannot otherwise be reduced to the required 11.5V maximum voltage for halogen.

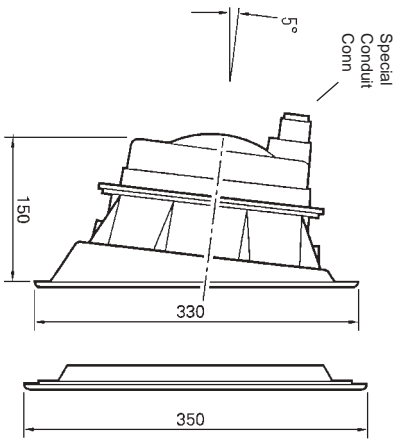
Coloured Lenses PU15N

Set of three vandal-resistant lenses in green, red and blue.

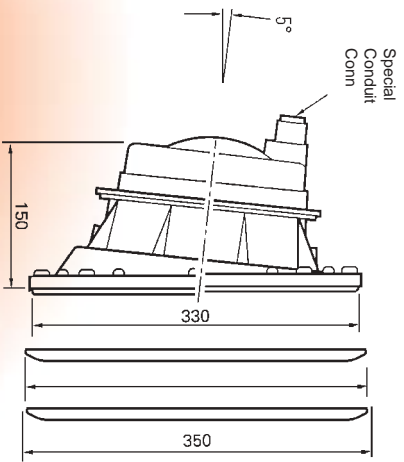
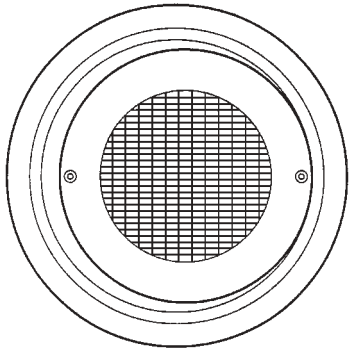


Certikin Underwater Lights

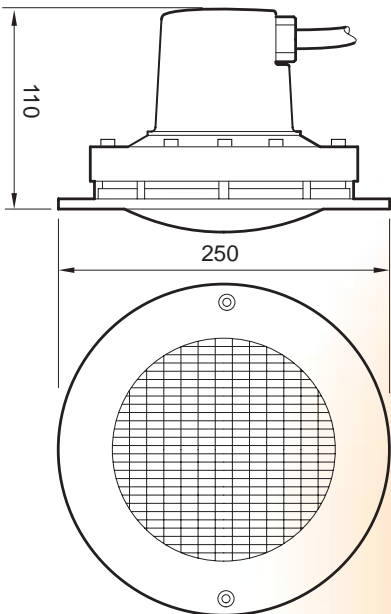
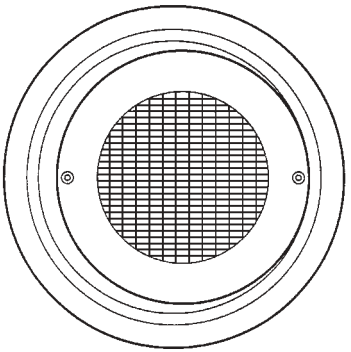
DIMENSIONS



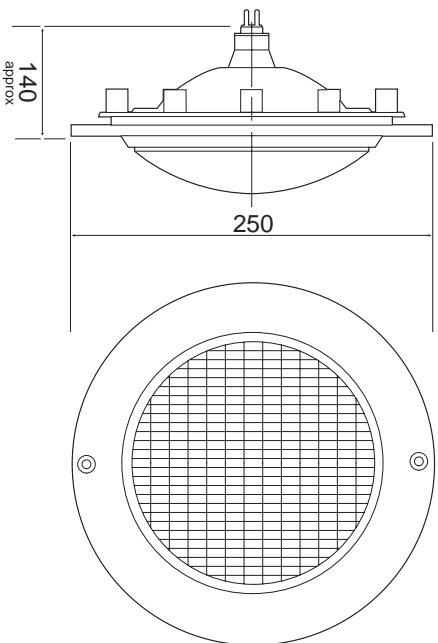
PU9CS / PU9CH



PU9LS / PU9LH



PU93S



PU9HG

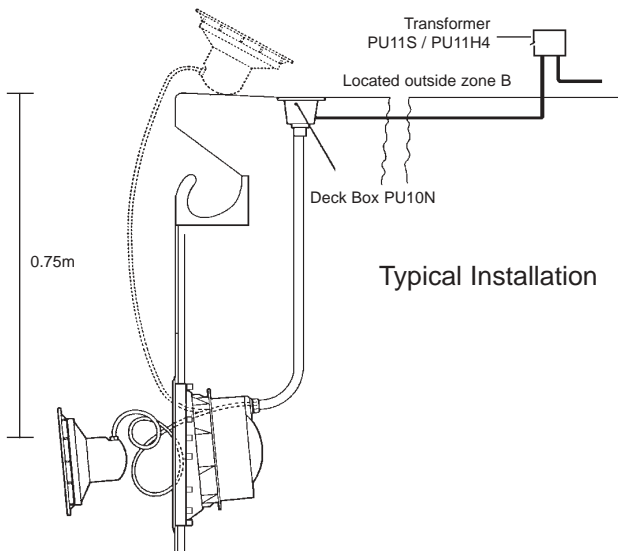
DIMENSIONS

For Par 56 Sealed Beam Lamp

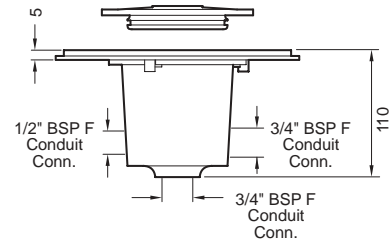
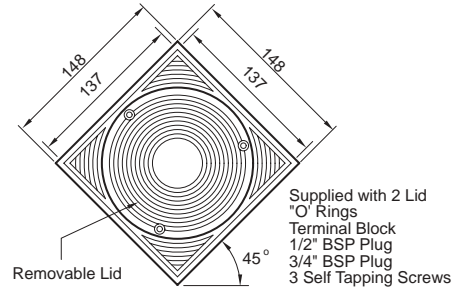
LENGTH OF CABLE RUN BETWEEN TRANSFORMER & DECK BOX			
Connections	Cable Core Area		
	4mm ²	6mm ²	10mm ²
(L-N1) 13V	5M	7M	12M
(L-N2) 14V	6-10M	8-15M	13-25M
(L-N3) 15V	11-15M	16-23M	26-38M
(L-N4) 16V	16-20M	24-30M	39-50M

If Using Halogen Lamp Units Please Note The Following

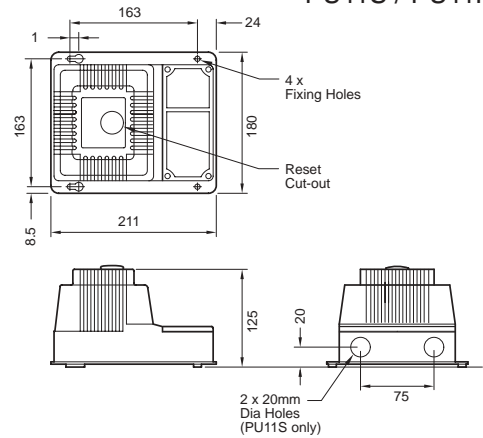
The choice of cable size is decided by the length of the cable run between the transformer and the deck box. For cable runs up to 21 metres 1.5mm² is suitable. For cable runs up to 34.5 metres use 2.5mm². The maximum cable lengths shown will produce an approximate reduction in lamp brightness of 10%. The minimum length of cable between transformer and deck box must be 5 metres.



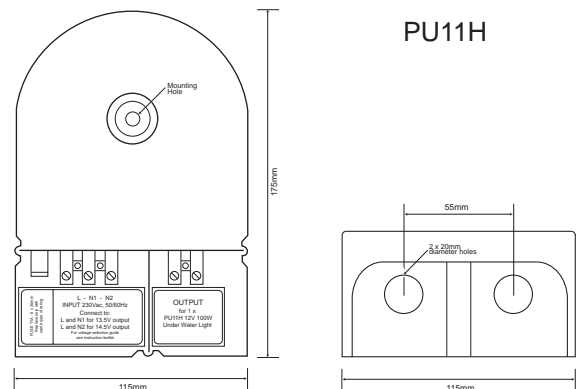
PU10N



PU11S / PU11H4



PU11H



If you should require further technical information please do not hesitate to contact us.