



COUNTRY LEISURE
GRP LIMITED





The Ultimate
Leisure Solution

COUNTRY LEISURE (GRP), FOUNDED IN 1985, STARTED BY MANUFACTURING GRP PRODUCTS FOR THE SWIMMING POOL INDUSTRY, WITH WHICH IT ENJOYS A REPUTATION FOR EXCELLENT QUALITY, INNOVATION AND DESIGN. SINCE THEN, OUR PRODUCT RANGE HAS INCREASED, AND WE NOW OFFER ONE OF THE WIDEST RANGES OF SWIMMING POOL STEPS AVAILABLE IN EUROPE. WE ALSO OFFER A WIDE VARIETY OF SLIDES, DIVING BOARDS, SUN LOUNGERS AND POOL WALL PANELS. COUNTRY LEISURE HAVE A REPUTATION THAT IS SECOND TO NONE IN THE INDUSTRY FOR SUPPLYING OUR PRODUCTS AT THE RIGHT TIME, PLACE AND PRICE.

IN 1988 THE COMPANY EXPANDED INTO MANUFACTURING FOR CLIENTS IN THE WATER SLIDE INDUSTRY, AND COUNTRY LEISURE (GRP) LIMITED IS NOW ONE OF THE LEADING MANUFACTURERS, SUPPLYING SLIDES AND LEISURE EQUIPMENT TO MAJOR LEISURE CENTRES AND THEME PARKS WORLDWIDE.

COUNTRY LEISURE (GRP) LIMITED, THROUGH LOYAL GROVE LEISURE IS NOW THE LARGEST WATERSLIDE MANUFACTURER IN EUROPE, SUPPLYING SLIDES TO MANY OTHER COUNTRIES WORLDWIDE, WITH MAJOR CONTRACTS IN AMERICA, INDIA, JAPAN, RUSSIA, KOREA, THAILAND, ISRAEL AND MANY MORE.

THE FUTURE OF DOMESTIC SWIMMING POOLS IS CERTAINLY TO GROW, DUE TO POOLS BECOMING MORE AFFORDABLE, AND THE WARMER CLIMATE.



INVESTOR IN PEOPLE



Composites Processing Association



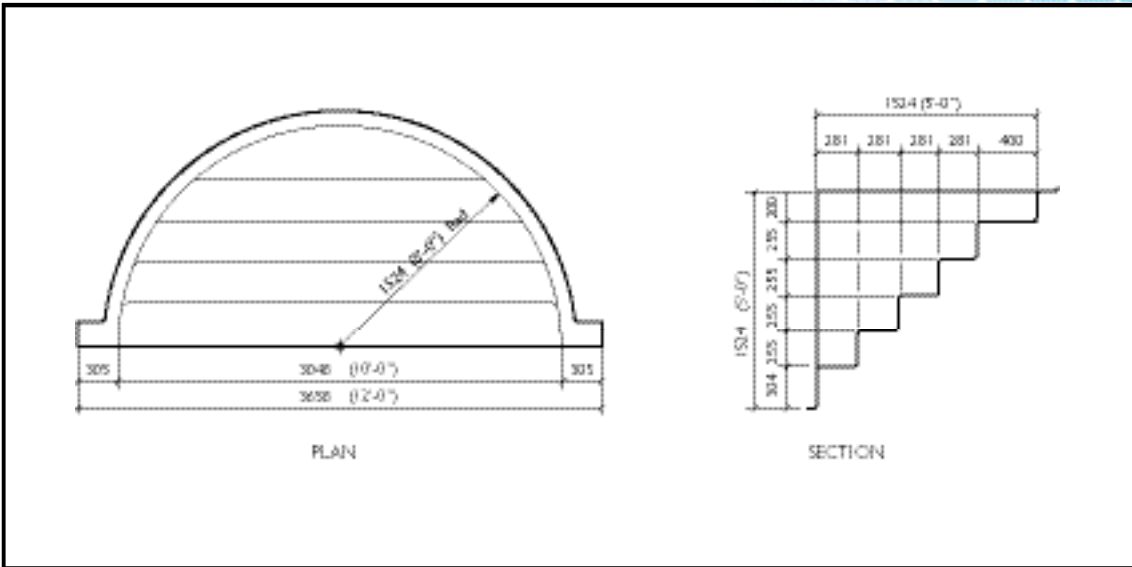
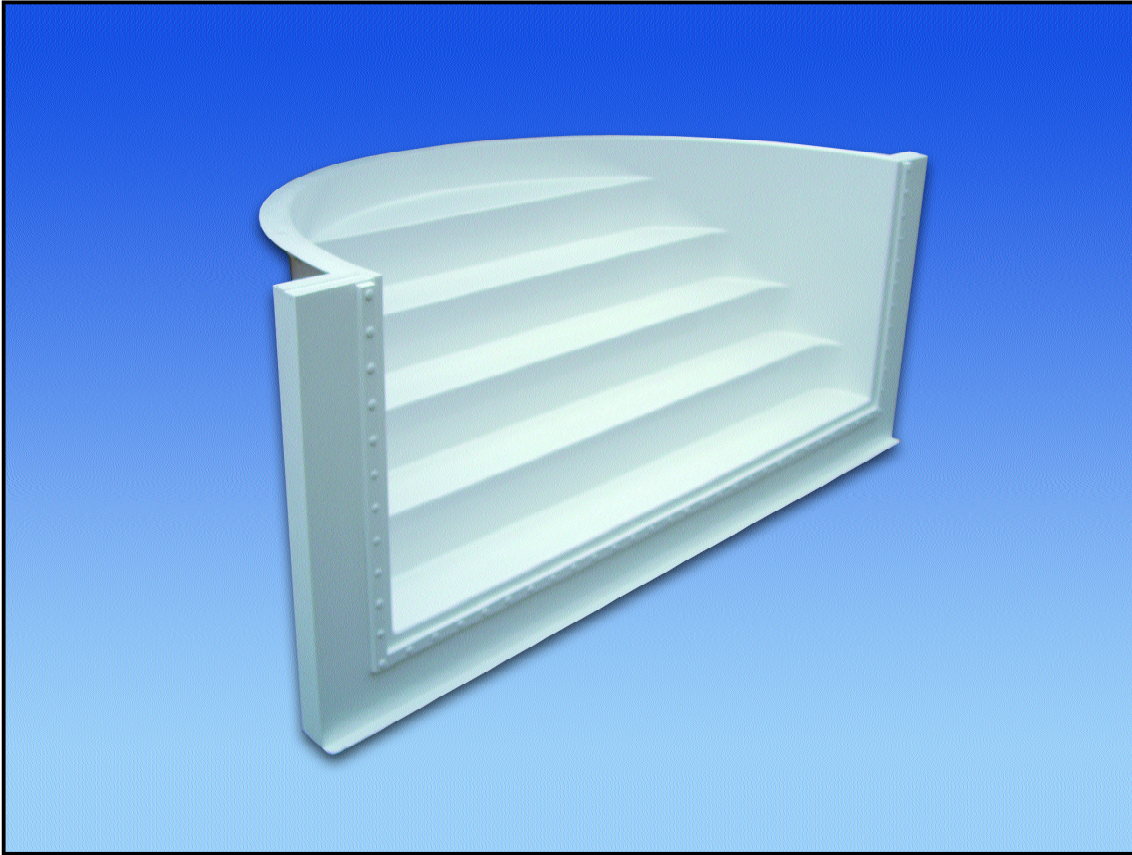
WATER IS LIFE - OUR LIFE IS WATER

Loyal Grove Leisure meets the demands and offers an innovative, fun and cost effective approach to flume designs. With one of the largest range of flume moulds available in the UK, Loyal Grove Leisure makes water work, by providing professional and affordable

slide installations to councils and theme parks, which are manufactured by highly skilled and experienced factory staff. Loyal Grove Leisure recognises the demand for safety and quality and to that end, uses its in-house skills to offer and carry out specialist repairs and service maintenance work.



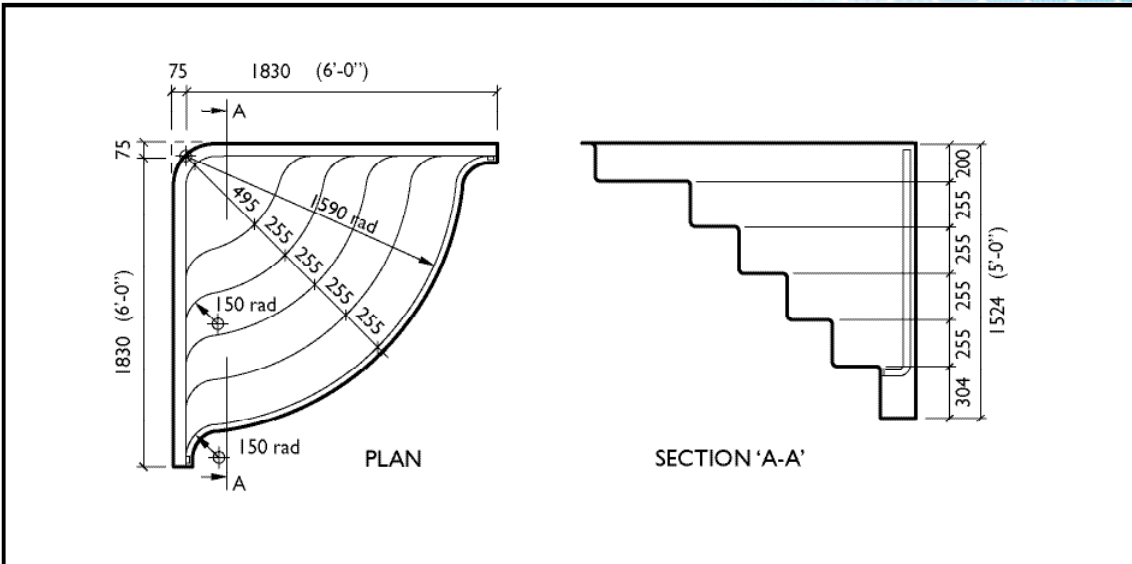
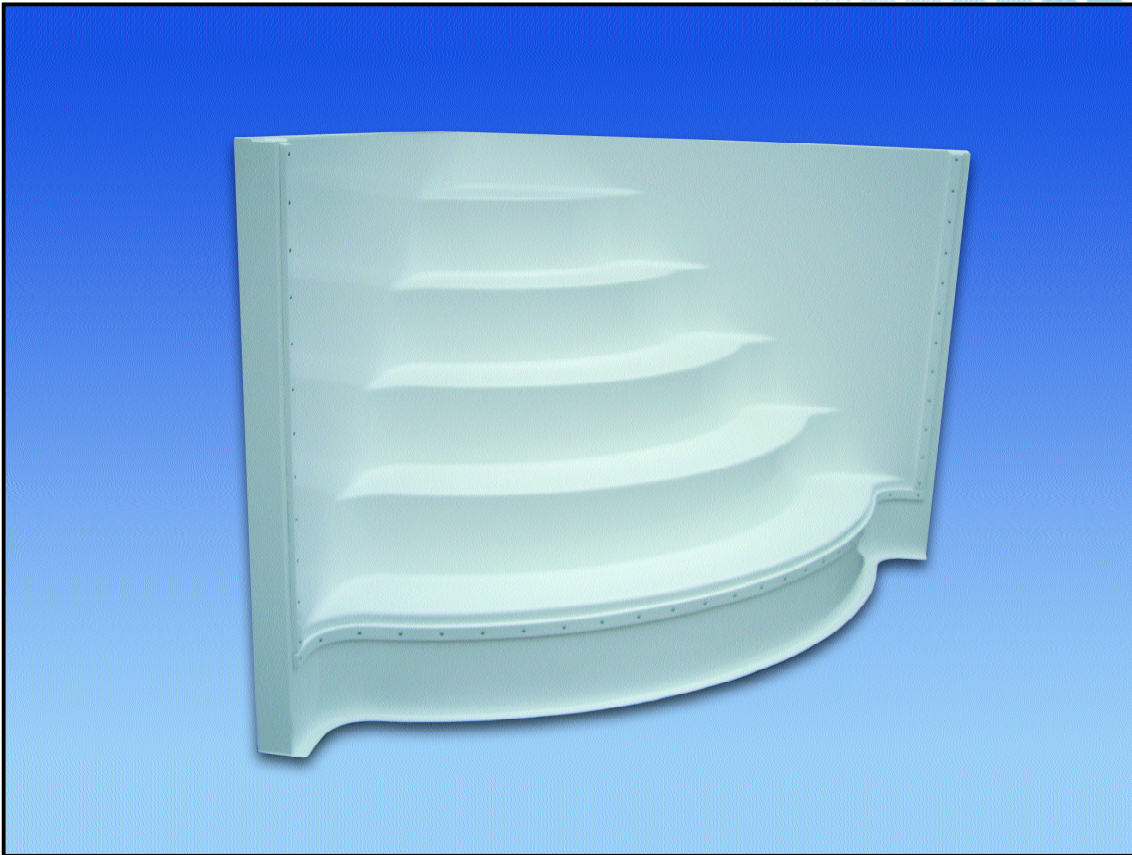
12' x 5' CONSTANT DEPTH ROMAN END STEP



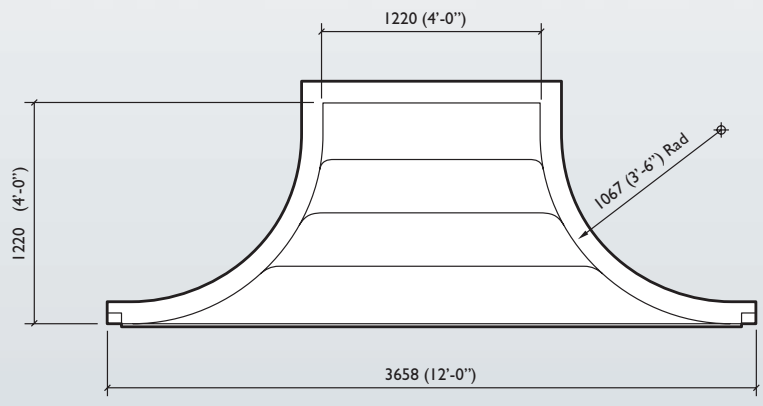
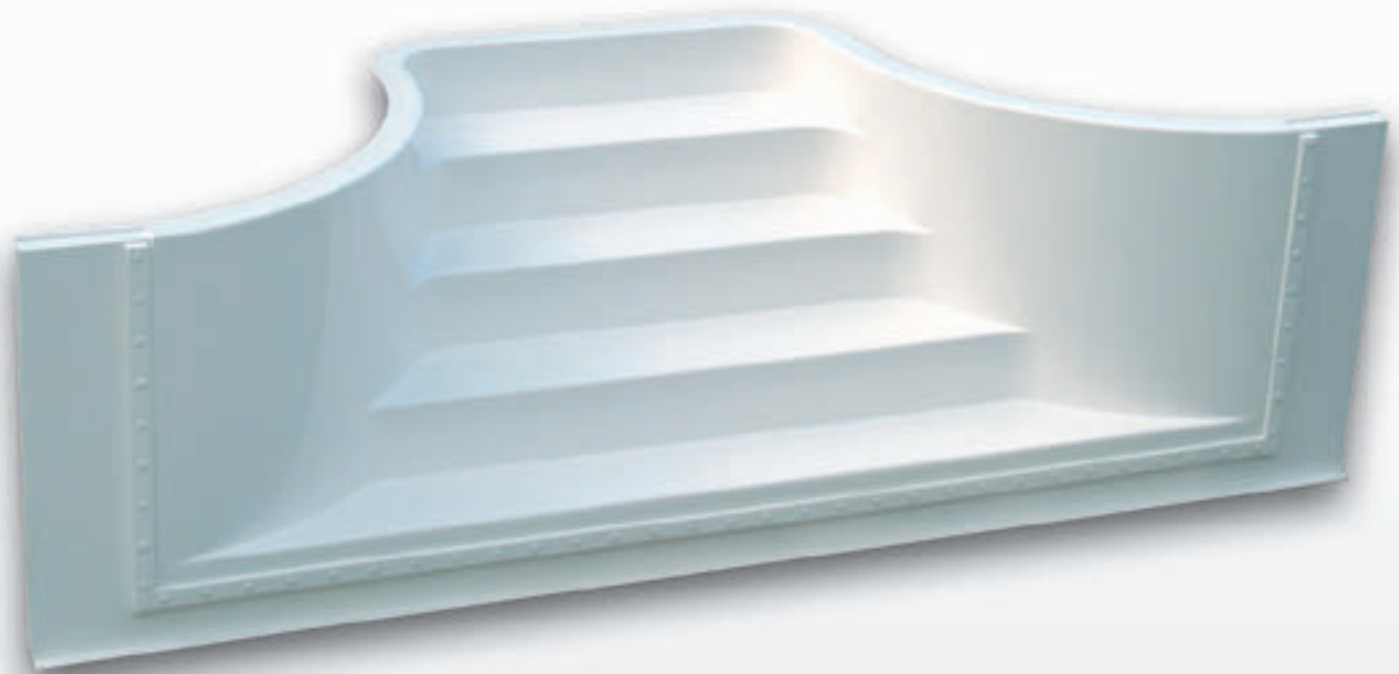
MANUFACTURERS OF G.R.P. SWIMMING POOL PRODUCTS



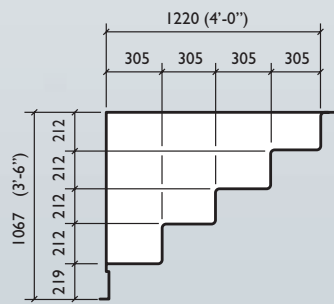
6' x 5' CONSTANT DEPTH CORNER STEP



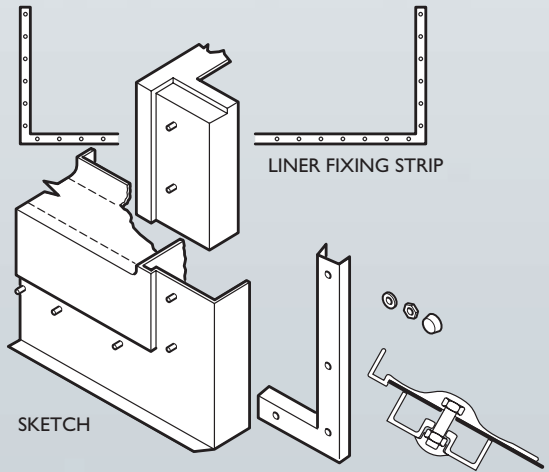
12' REGENCY STEP - 3.66M



PLAN



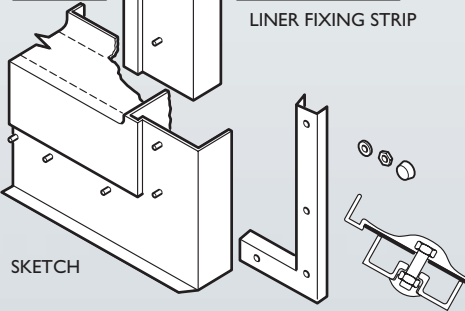
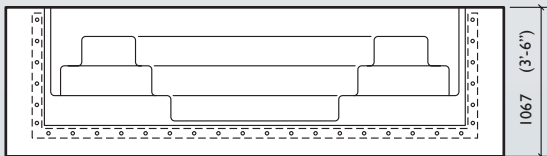
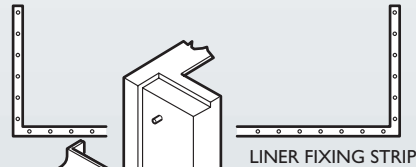
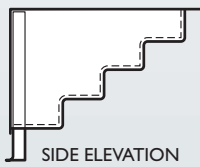
SECTION



SKETCH

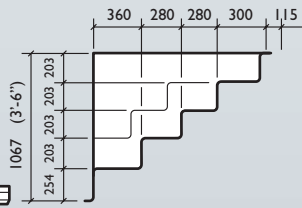
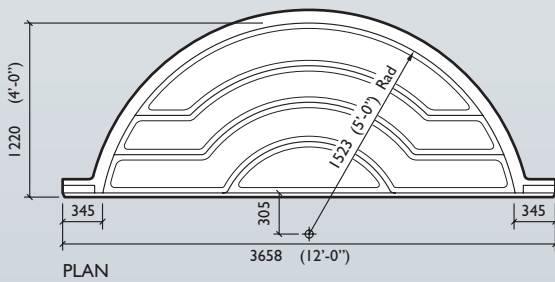


12' ELITE ROMAN END STEP - 3.66M



FRONT ELEVATION

SKETCH

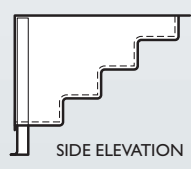


PLAN

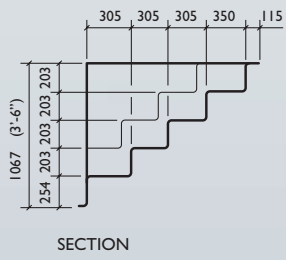
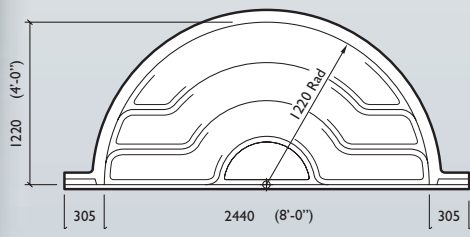
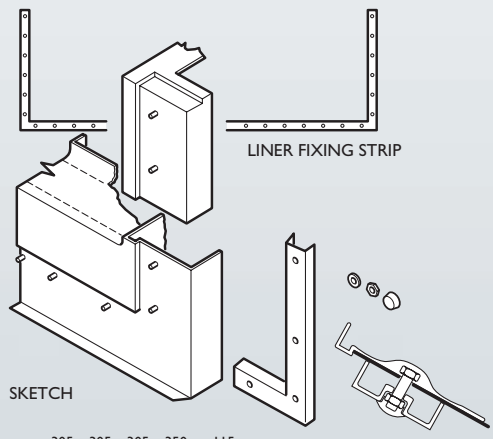
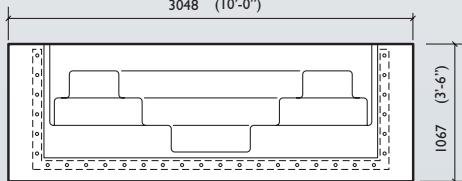
SECTION



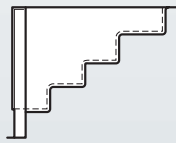
10' ELITE ROMAN END STEP - 3.048M



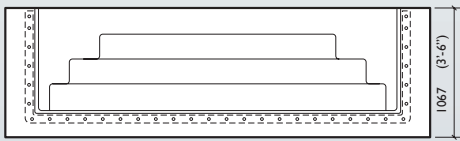
3048 (10'-0")



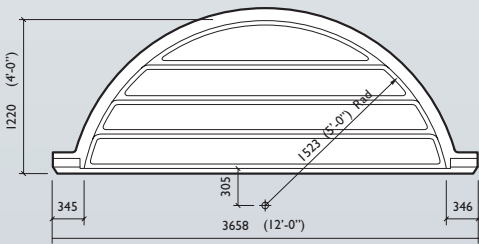
12' ROMAN END STEP - 3.66M



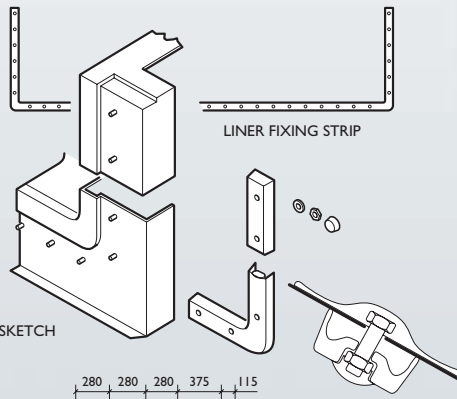
SIDE ELEVATION



FRONT ELEVATION

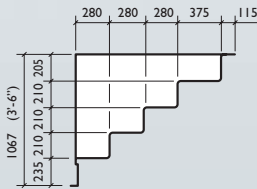


PLAN



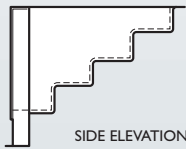
LINER FIXING STRIP

SKETCH



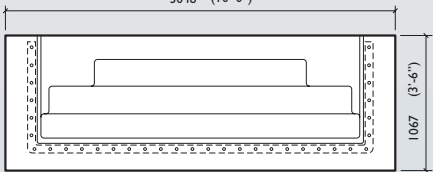
SECTION

10' ROMAN END STEP - 3.048M

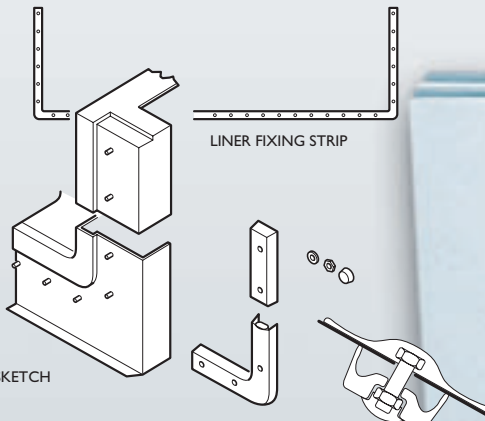


SIDE ELEVATION

3048 (10'-0")

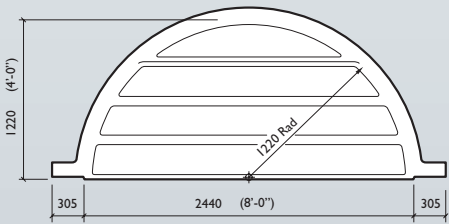


FRONT ELEVATION

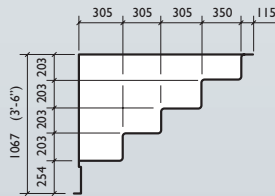


SKETCH

LINER FIXING STRIP



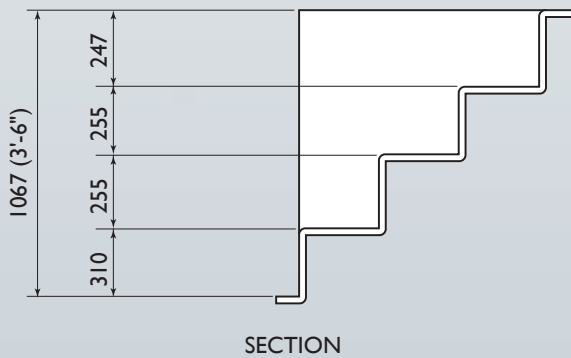
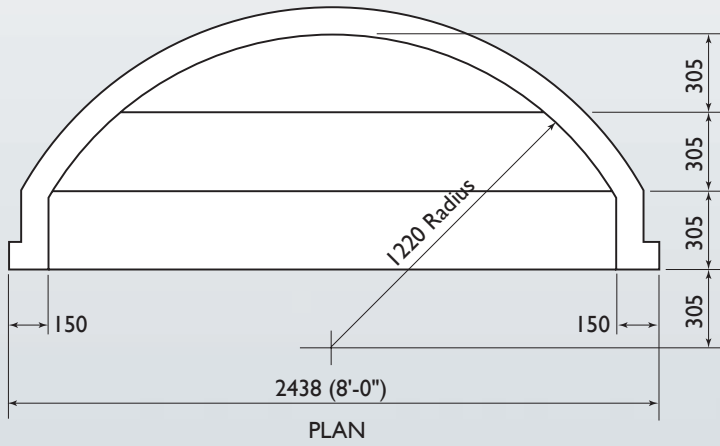
PLAN



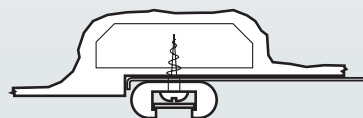
SECTION



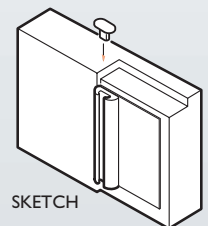
8' ROMAN END STEP



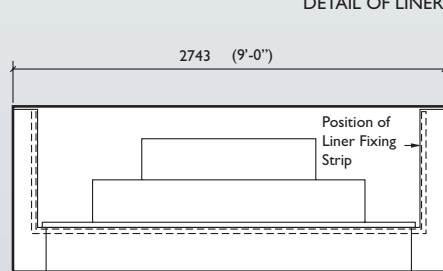
9' INTERNAL ROMAN END STEP - 2.743M



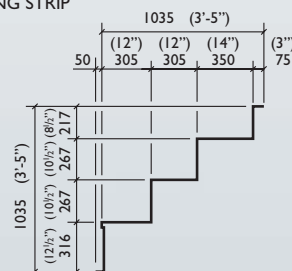
DETAIL OF LINER FIXING STRIP



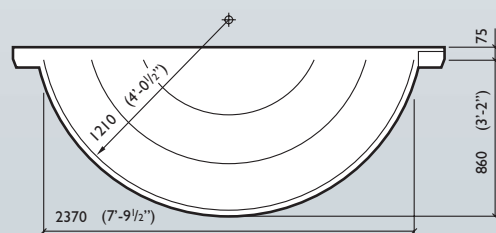
SKETCH



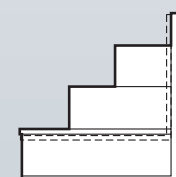
FRONT ELEVATION



SECTION

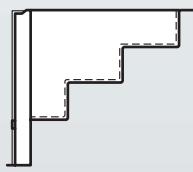


PLAN

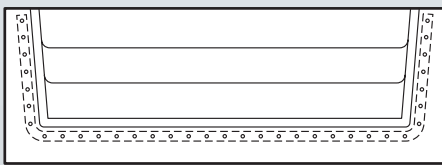


SIDE ELEVATION

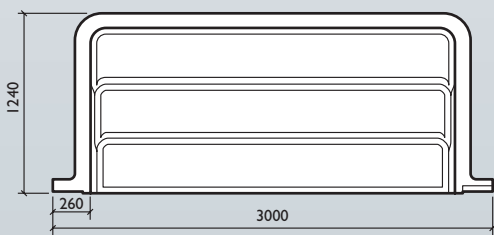
3 METRE SQUARE STEP



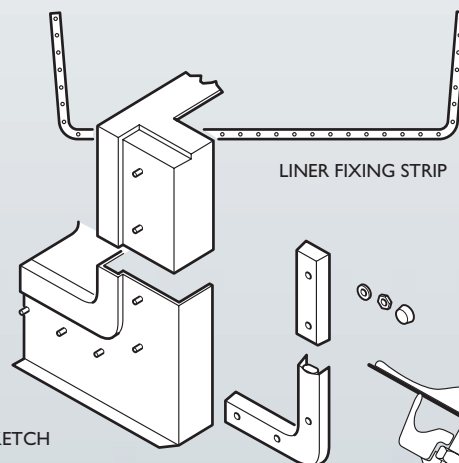
SIDE ELEVATION



FRONT ELEVATION

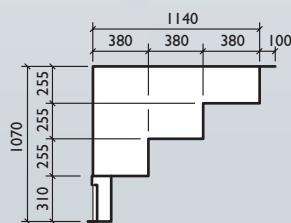


PLAN



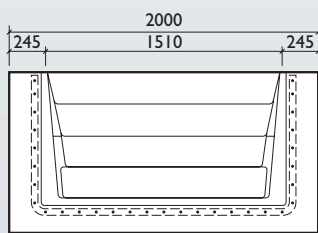
LINER FIXING STRIP

SKETCH

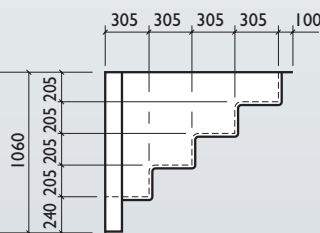


SECTION

2 METRE SQUARE STEP - STACKABLE



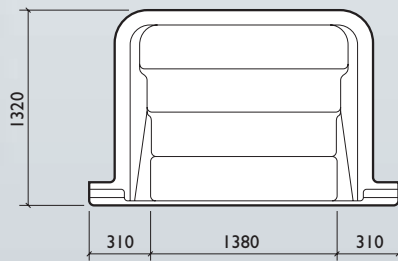
FRONT ELEVATION



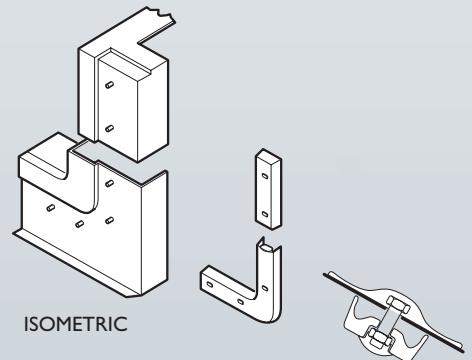
SIDE ELEVATION



LINER FIXING STRIP

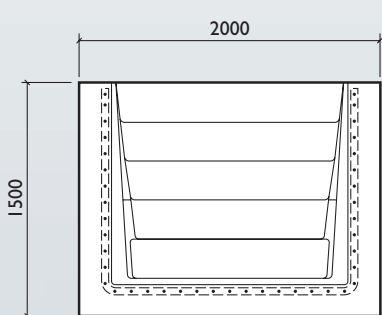


PLAN

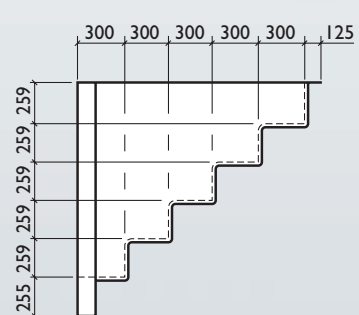


ISOMETRIC

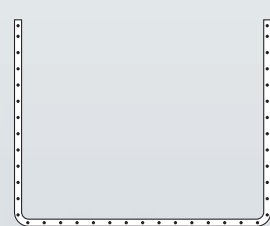
2 X 1.5M CONSTANT DEPTH STEP



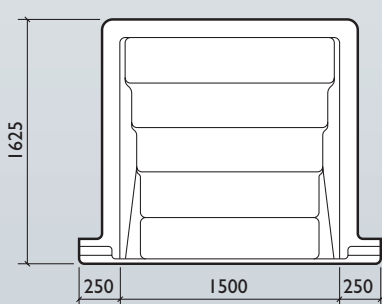
FRONT ELEVATION



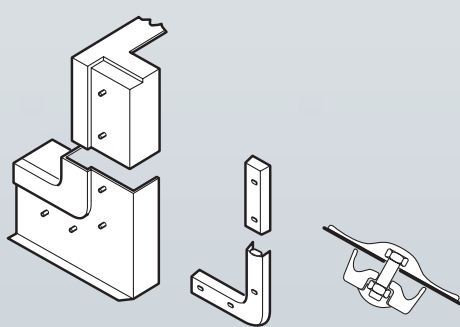
SIDE ELEVATION



LINER FIXING STRIP

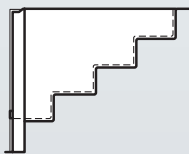


PLAN

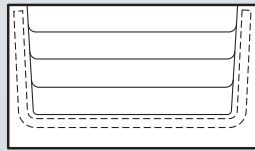


ISOMETRIC

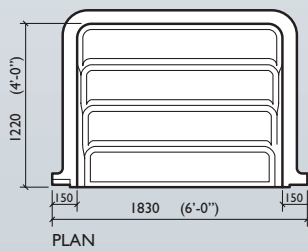
6' SQUARE STEP - 1.83M



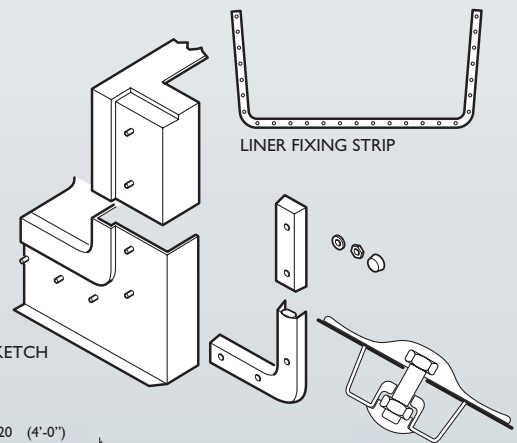
SIDE ELEVATION



FRONT ELEVATION

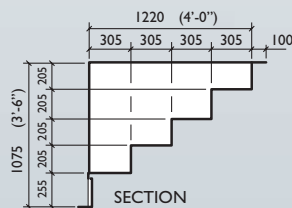


PLAN



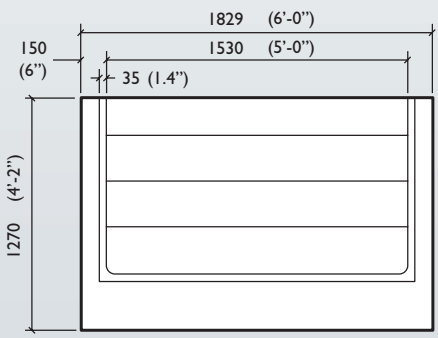
LINER FIXING STRIP

SKETCH

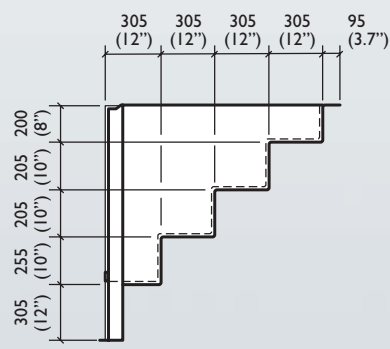


SECTION

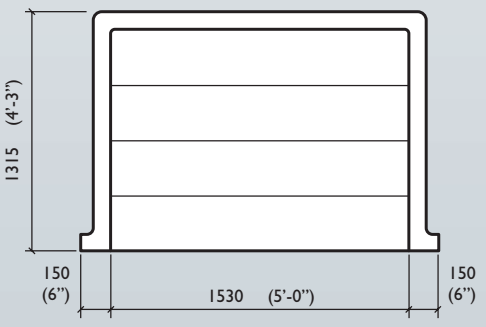
6' X 4' CONSTANT DEPTH STEP - 1.83M X 1.22M



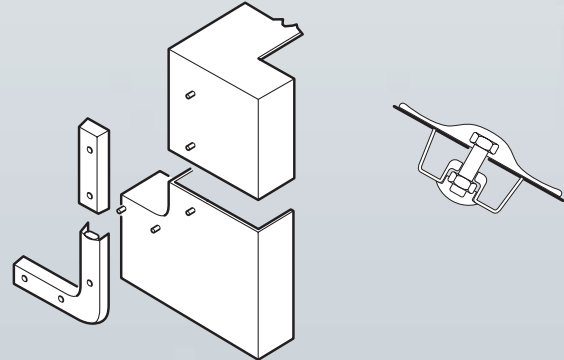
FRONT ELEVATION



SIDE ELEVATION

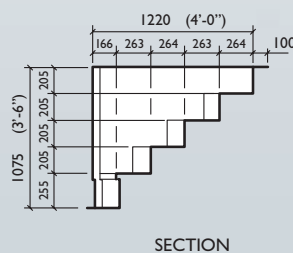
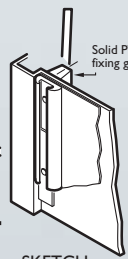
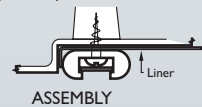
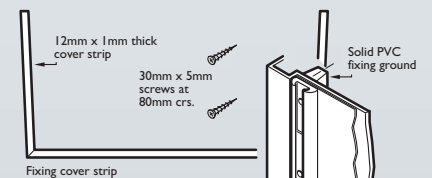
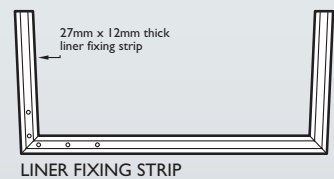
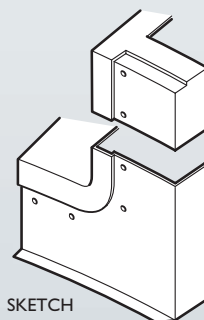
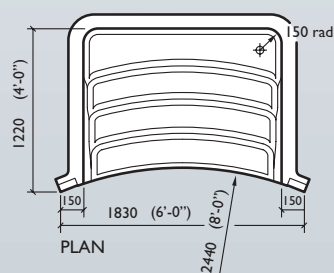
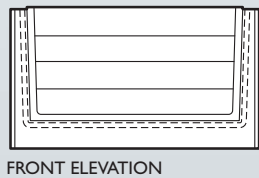
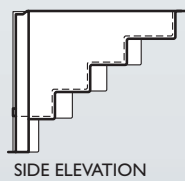
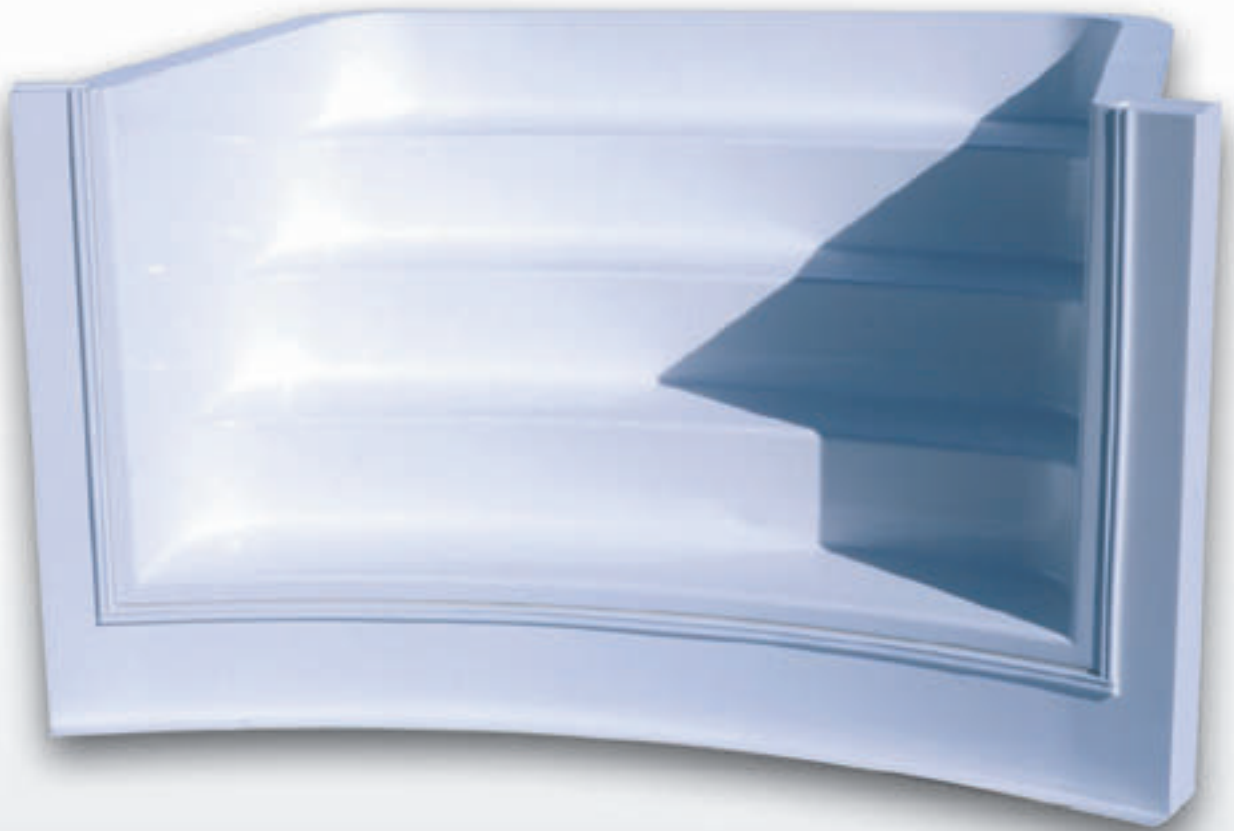


PLAN



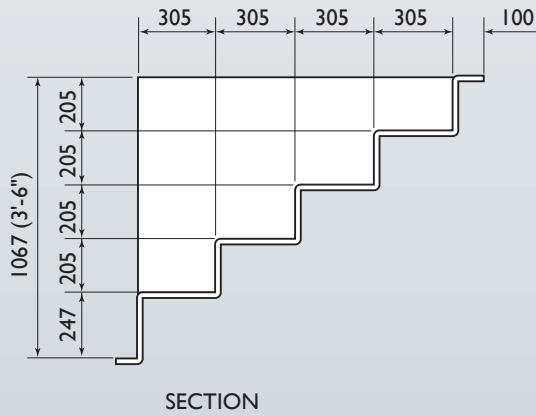
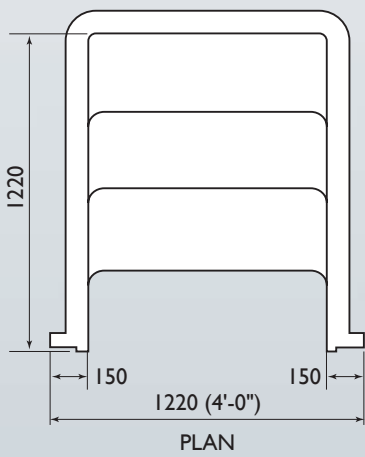
ISOMETRIC

6' SQUARE STEP - 8' RADIUS - 2.44M SUITABLE FOR OVAL OR KIDNEY SHAPE POOLS

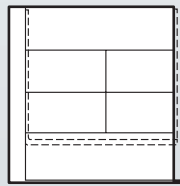


6'-0" SQUARE STEP WITH 8'-0" RADIUS FRONT STEPS SUITABLE FOR KIDNEY & OVAL POOLS

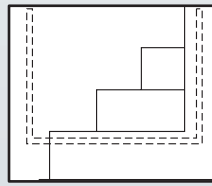
4' SQUARE STEP



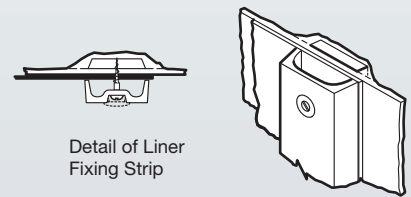
KIDNEY STEP - LEFT OR RIGHT HAND



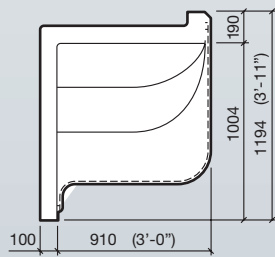
ELEVATION



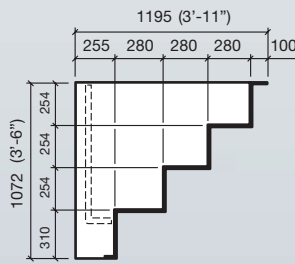
ELEVATION



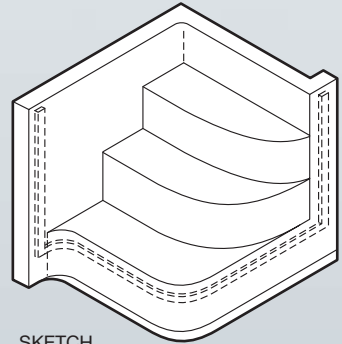
Detail of Liner Fixing Strip



PLAN

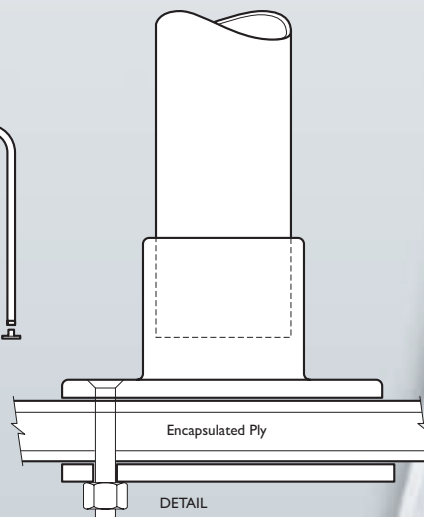
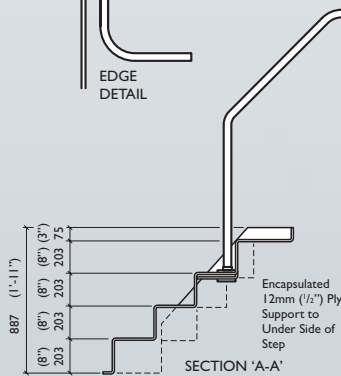
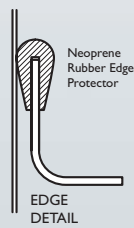
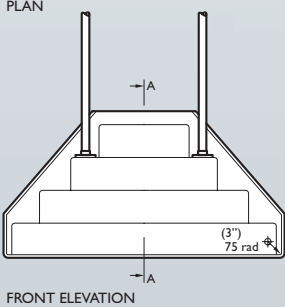
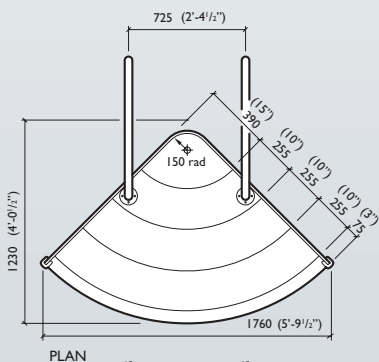


SECTION

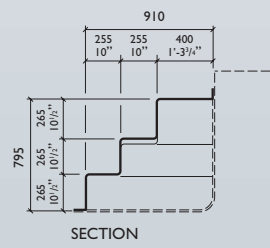
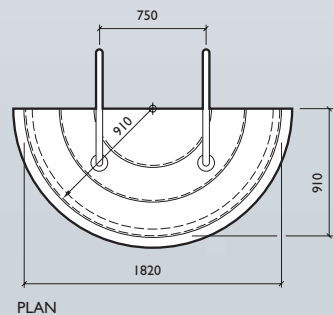
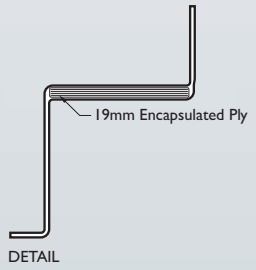
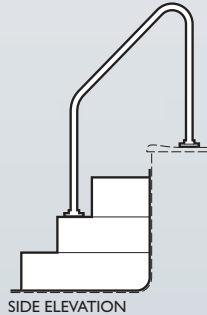
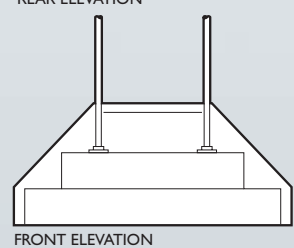
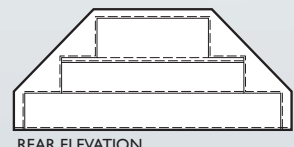


SKETCH

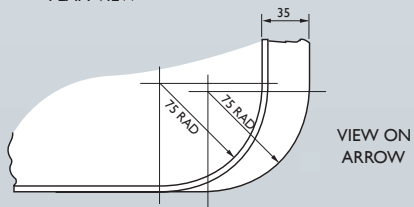
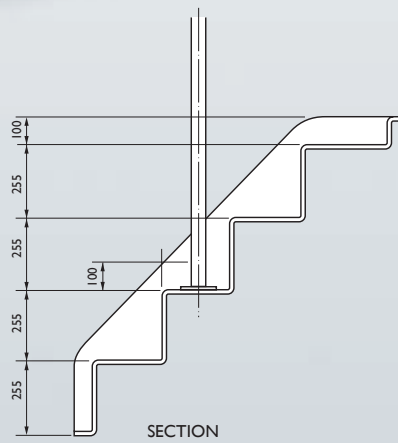
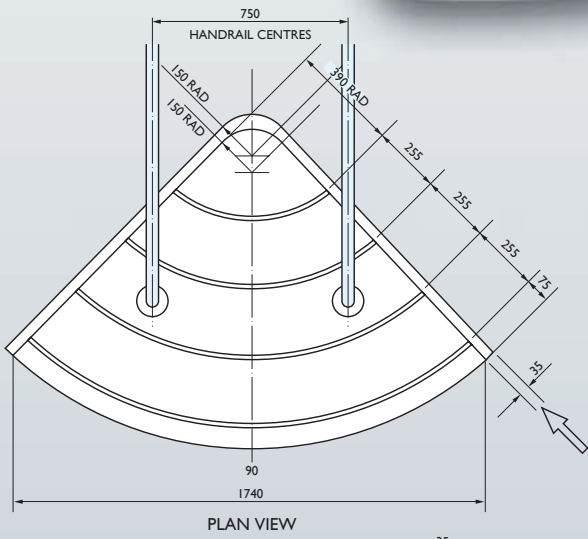
DROP IN CORNER STEP - 2 HANDRAILS SUITABLE FOR POOL DEPTH 3'6"



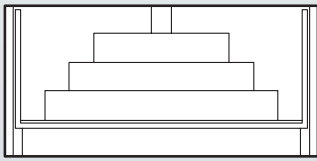
DROP IN SEMI-CIRCULAR STEP - 2 HANDRAILS SUITABLE FOR POOL DEPTH 3'6"



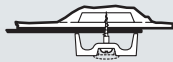
DROP IN CORNER STEP - 2 HANDRAILS SUITABLE FOR POOL DEPTH 4'



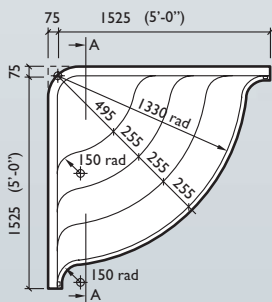
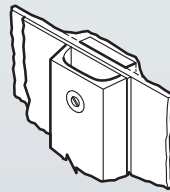
CORNER STEP



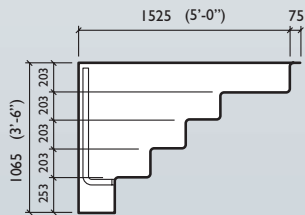
FRONT ELEVATION



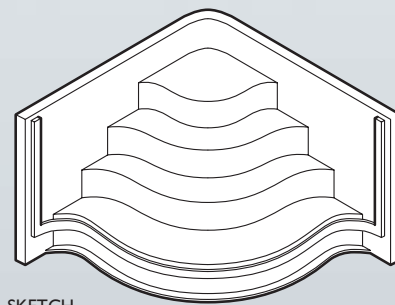
Detail of Liner Fixing Strip



PLAN

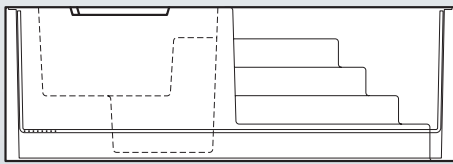
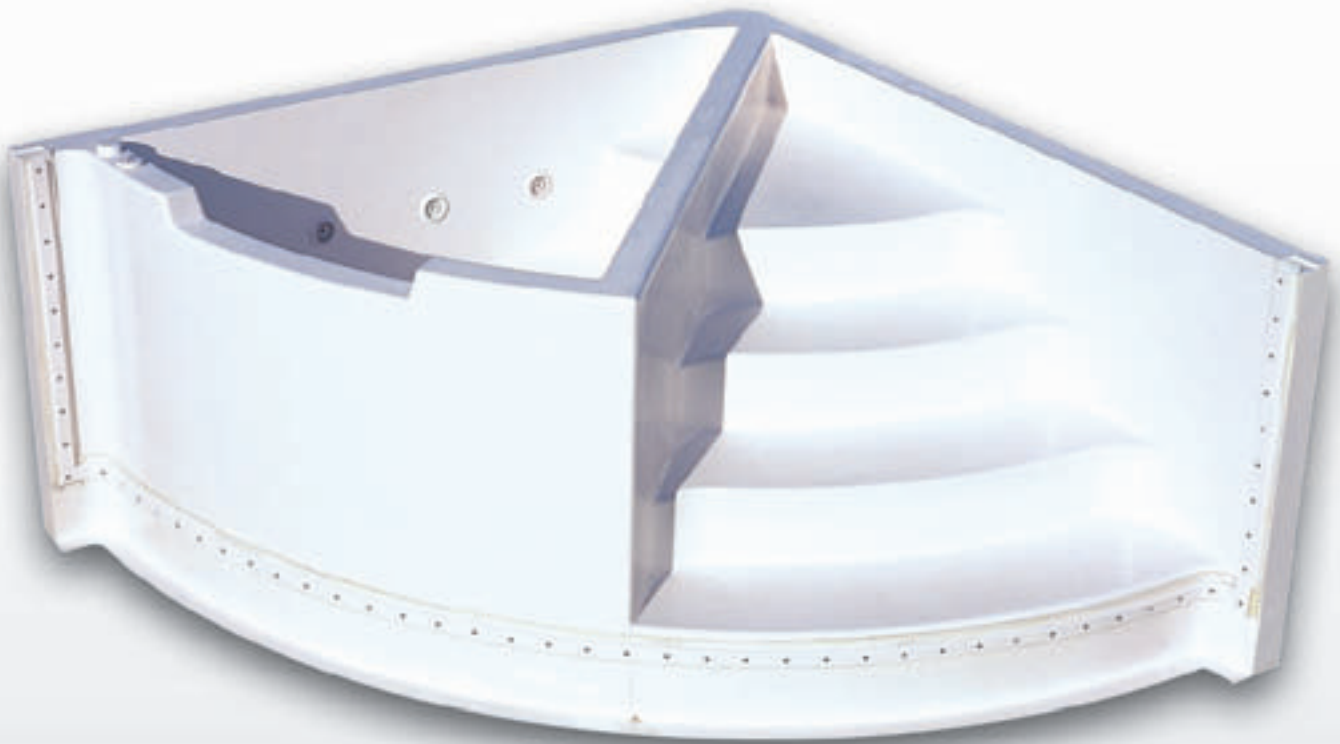


SECTION 'A-A'

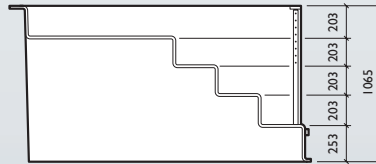


SKETCH

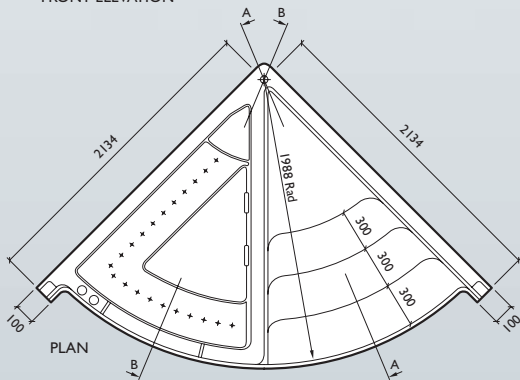
CORNER STEP SPAR UNIT



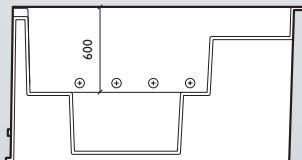
FRONT ELEVATION



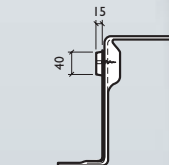
SECTION 'A-A'



PLAN



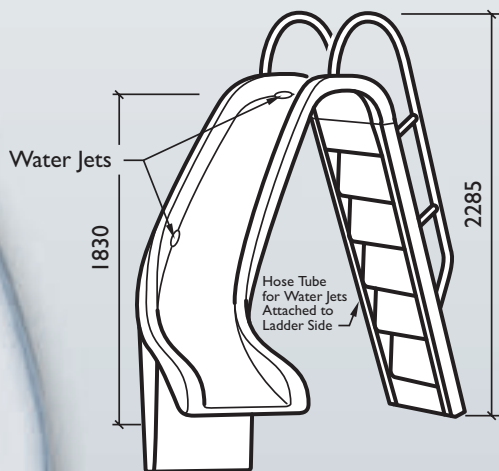
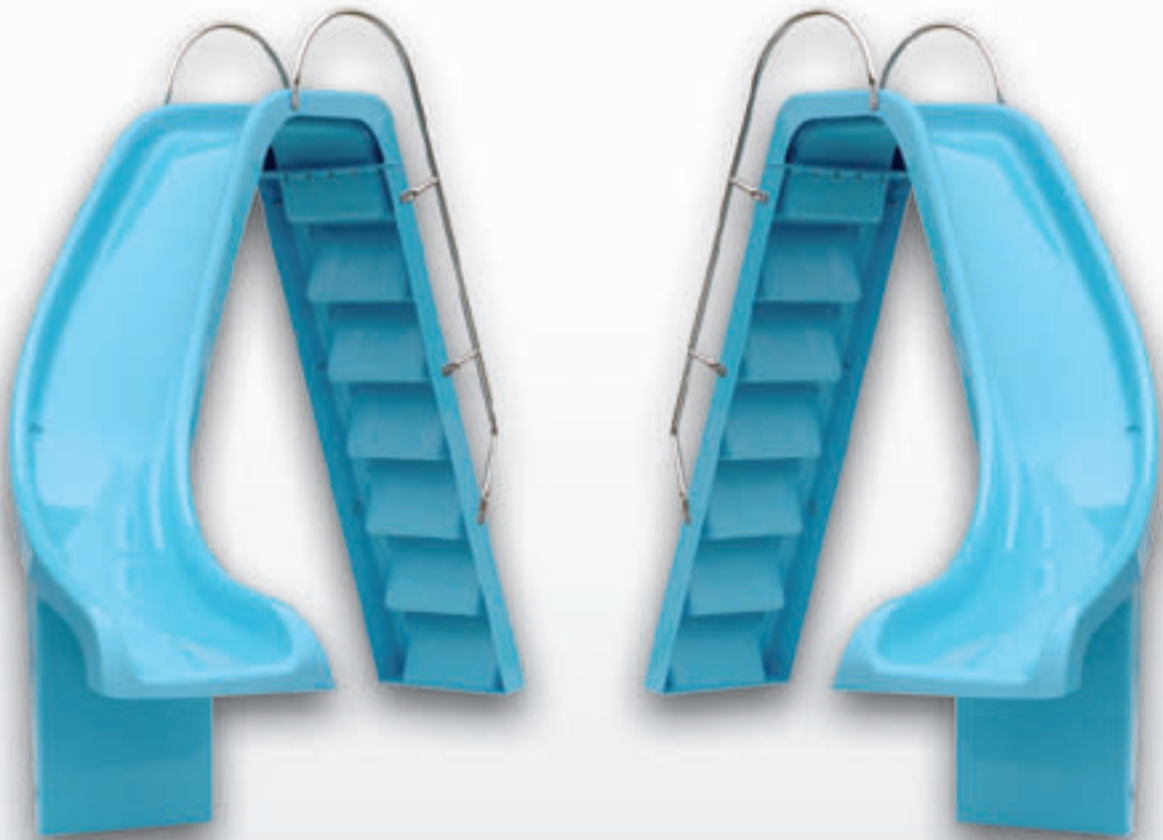
SECTION 'B-B'



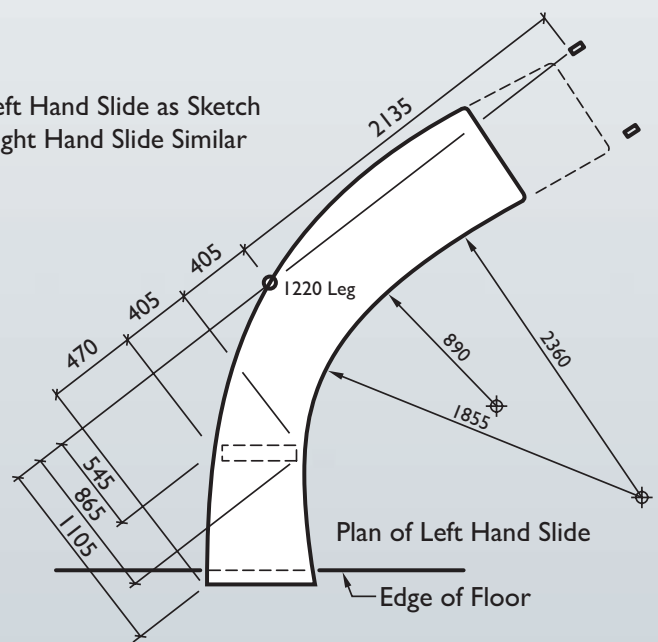
Details of Liner Fixing Strip



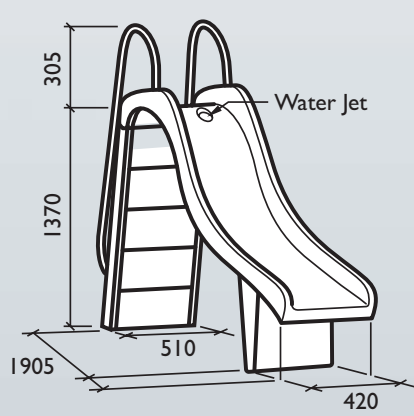
7'6" CURVED SLIDE - 2.29M LEFT OR RIGHT HAND



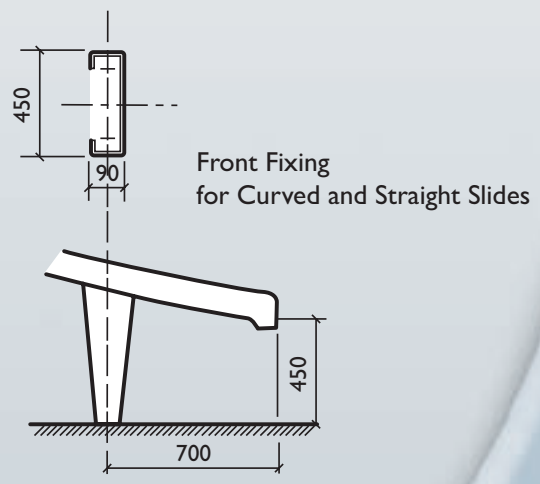
Left Hand Slide as Sketch
Right Hand Slide Similar



6' STRAIGHT SLIDE - 1.85M

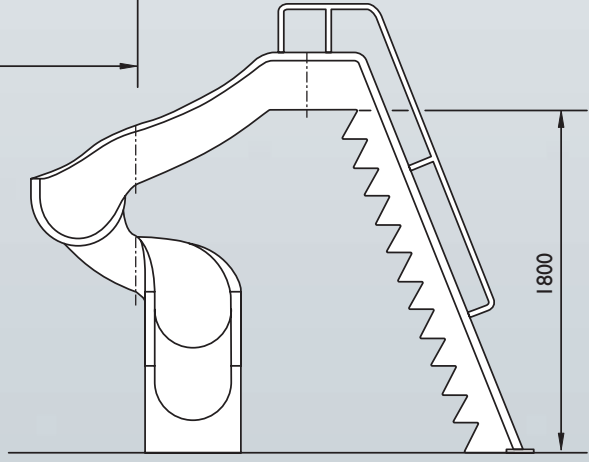
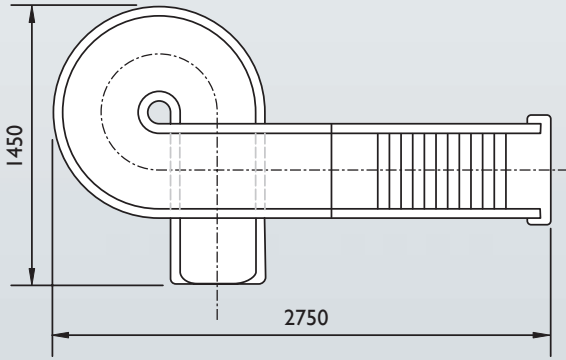


Straight Side Sketch

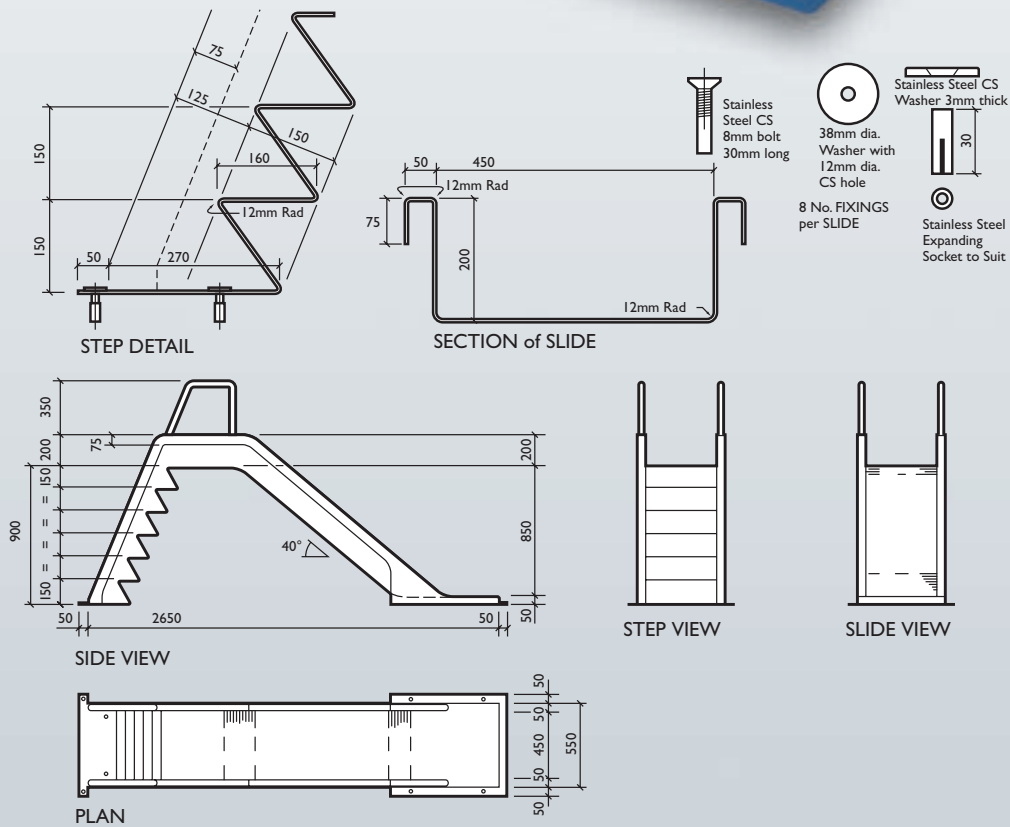


Front Fixing for Curved and Straight Slides

MINI FLUME



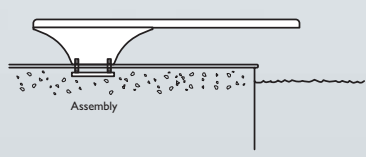
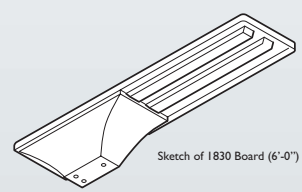
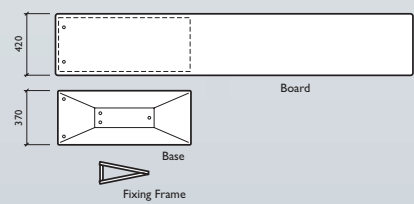
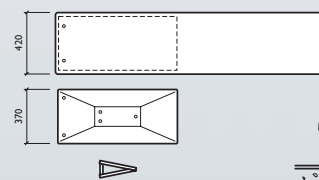
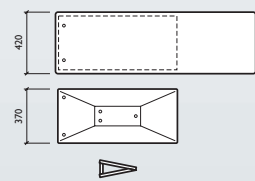
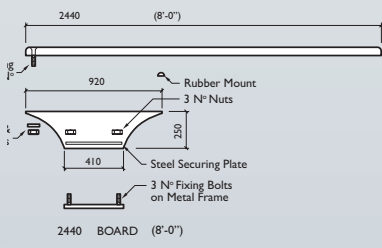
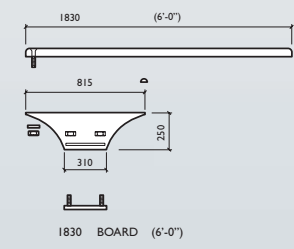
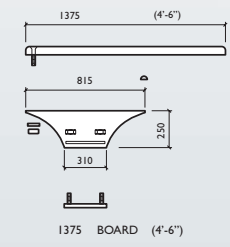
CHILDREN'S SLIDE



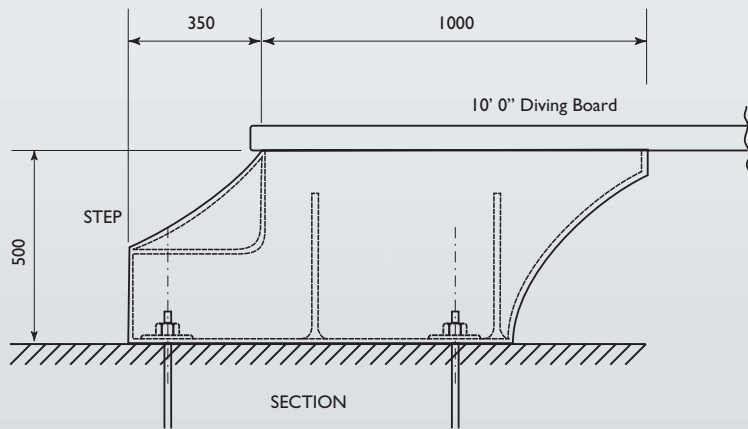
4'6", 6' & 8' DIVING BOARDS



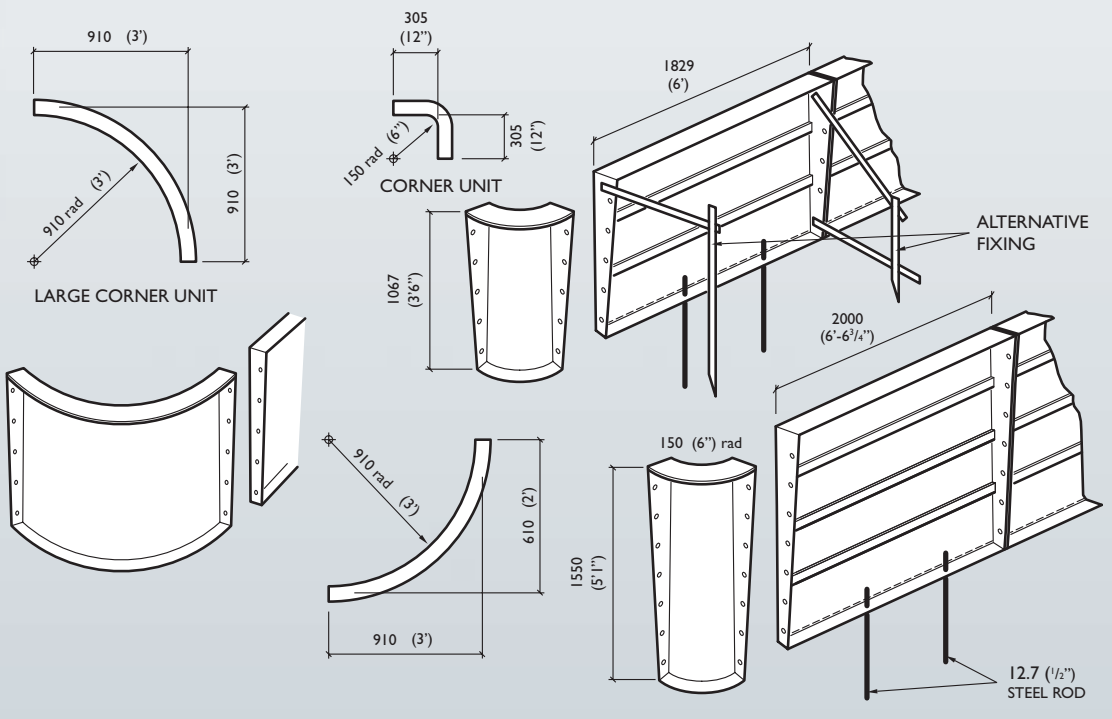
Typical Diving Board Installation – 8' Diving Board shown



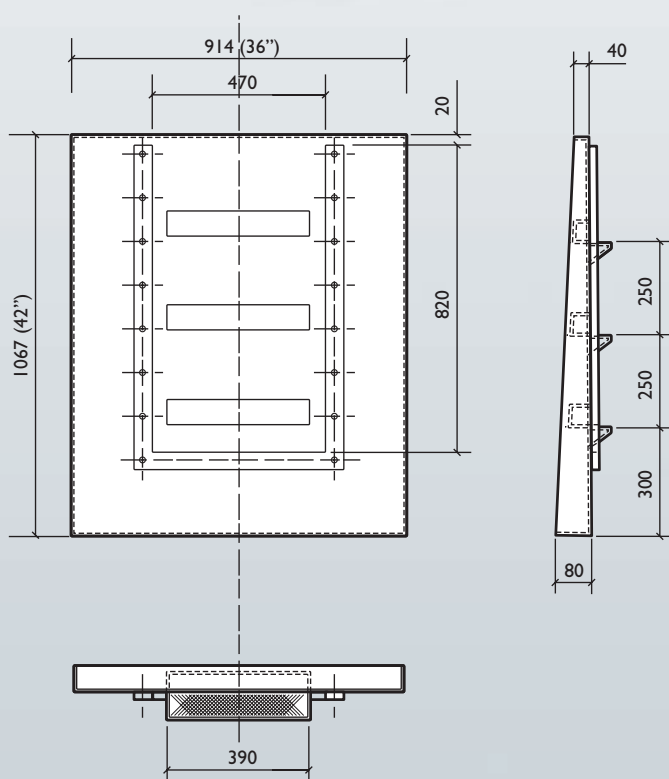
10' DIVING BOARD



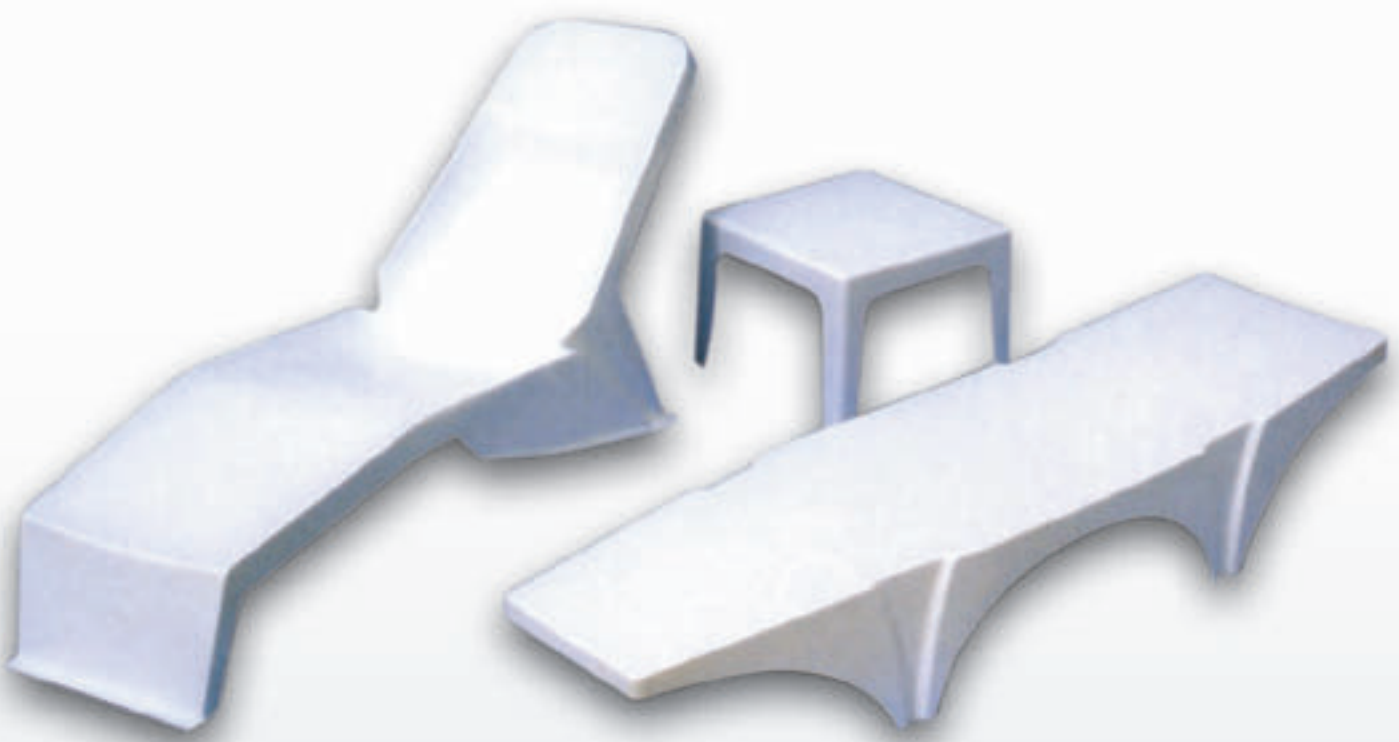
POOL PANELS



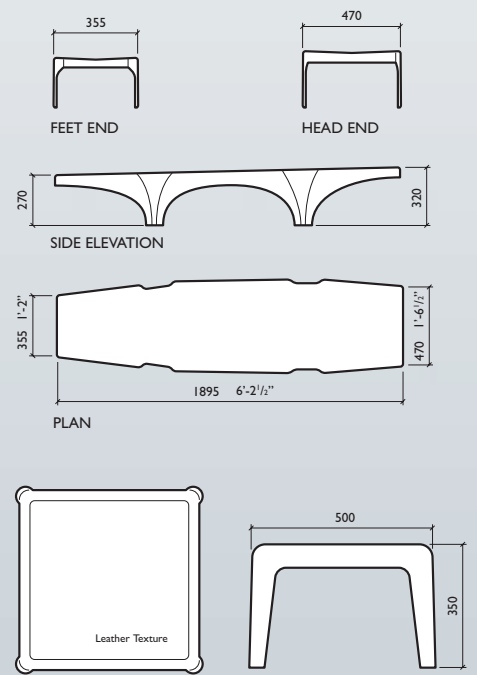
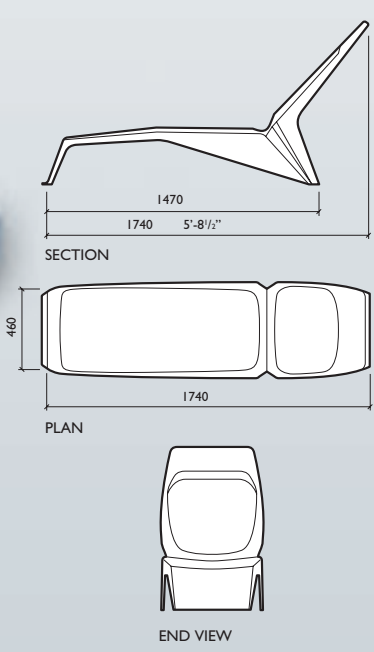
3 STEP POOL PANEL



LOUNGERS & TABLE



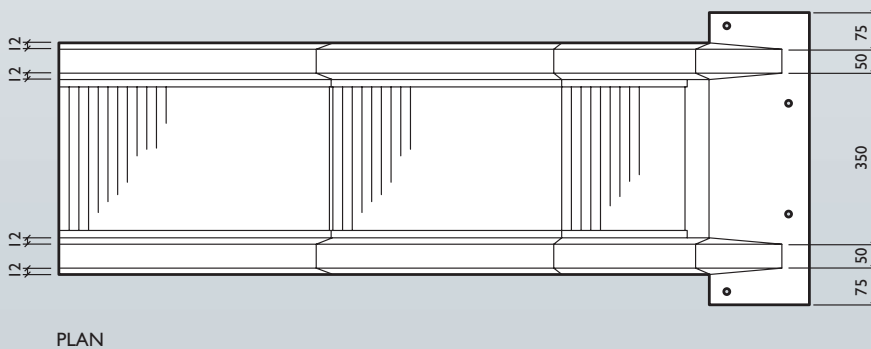
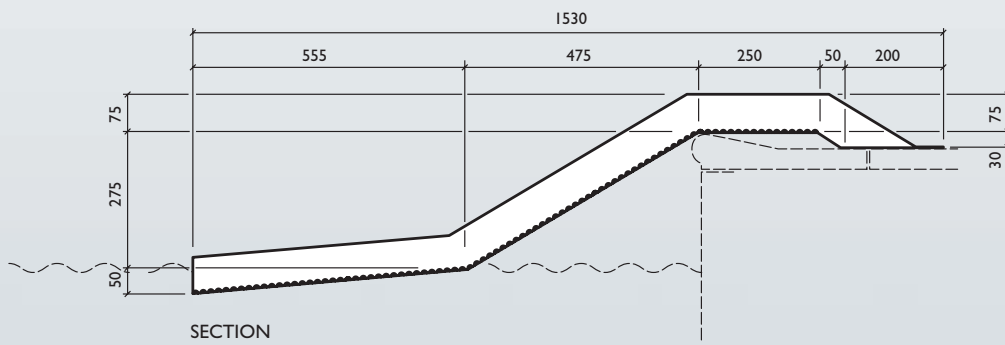
Our loungers and tables make an excellent addition to any pool side or patio area.



NON-SLIP ANIMAL ESCAPE RAMP

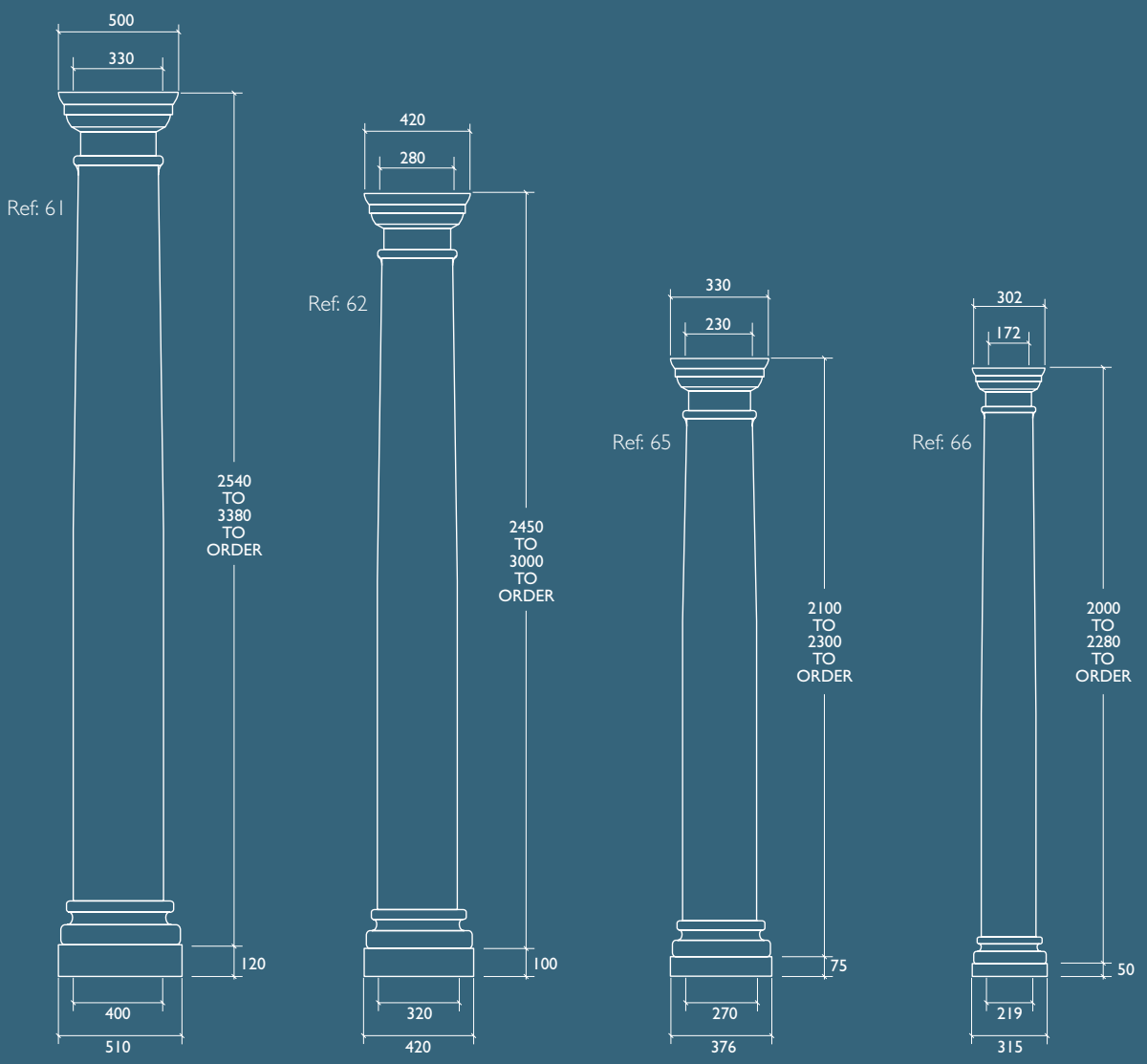


This is easy to install and can be removed if you move home and so does not impact on the value of your home.



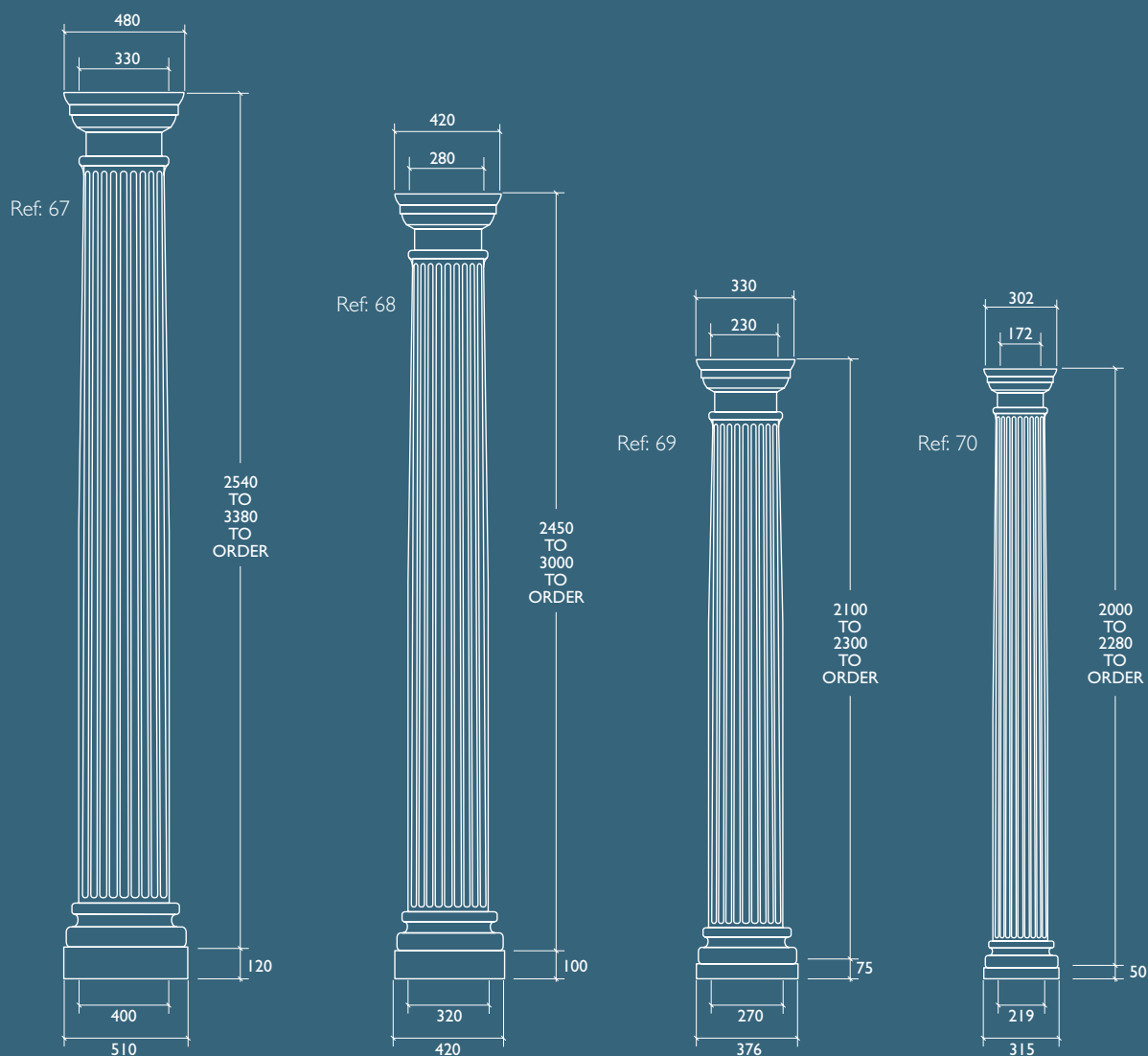
The classical columns are supplied in a smooth satin white finish or in stone textures and colours. Alternative styles and sizes are available on request. Each design is complemented by matching half columns or pilasters in the classic style and proportion.

CLASSICAL COLUMNS

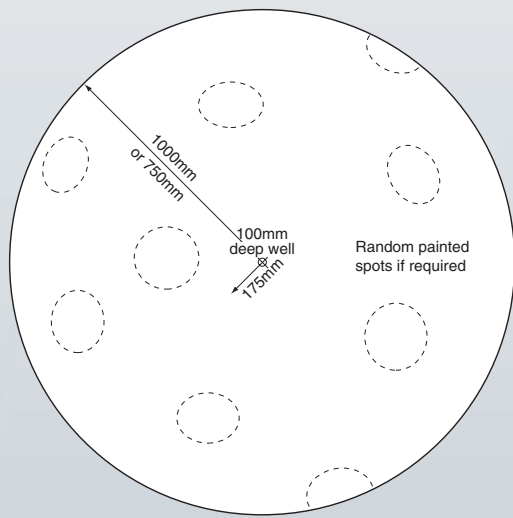




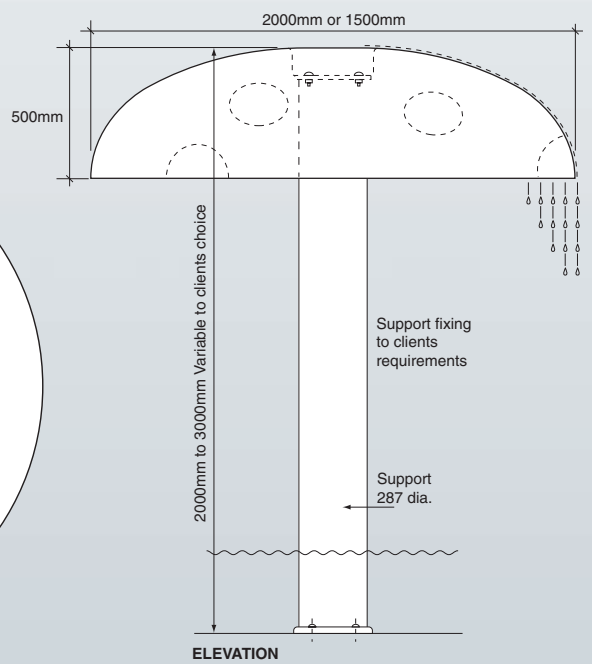
Photograph supplied courtesy of Clearwater Swimming Pools Ltd Oxford.



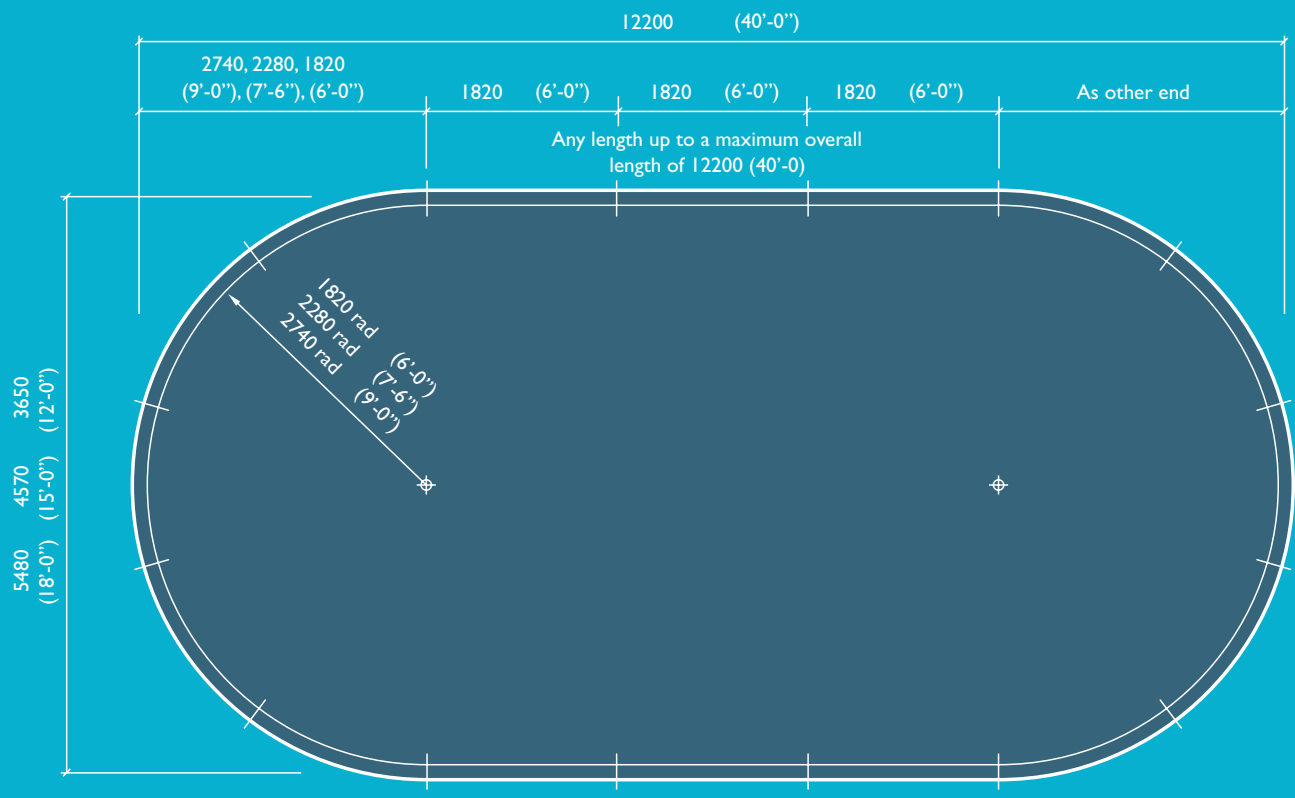
MUSHROOM WATER FEATURE



PLAN

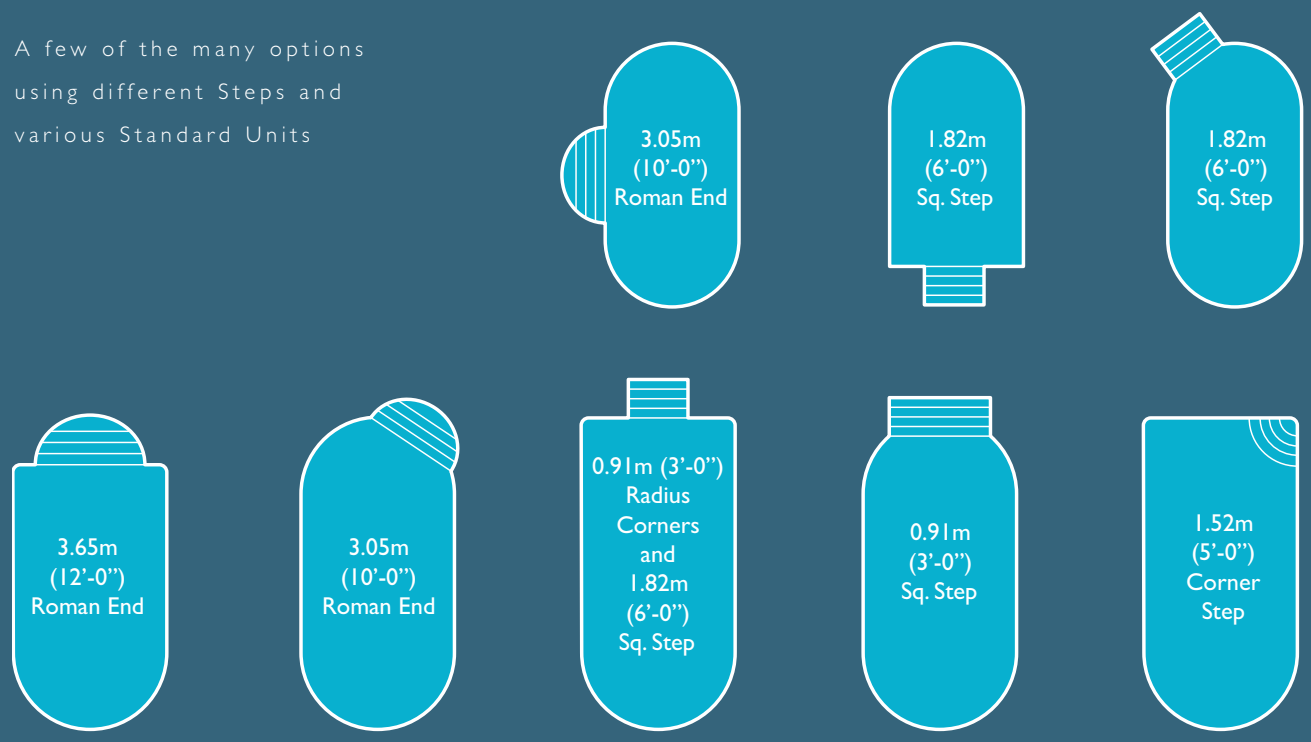


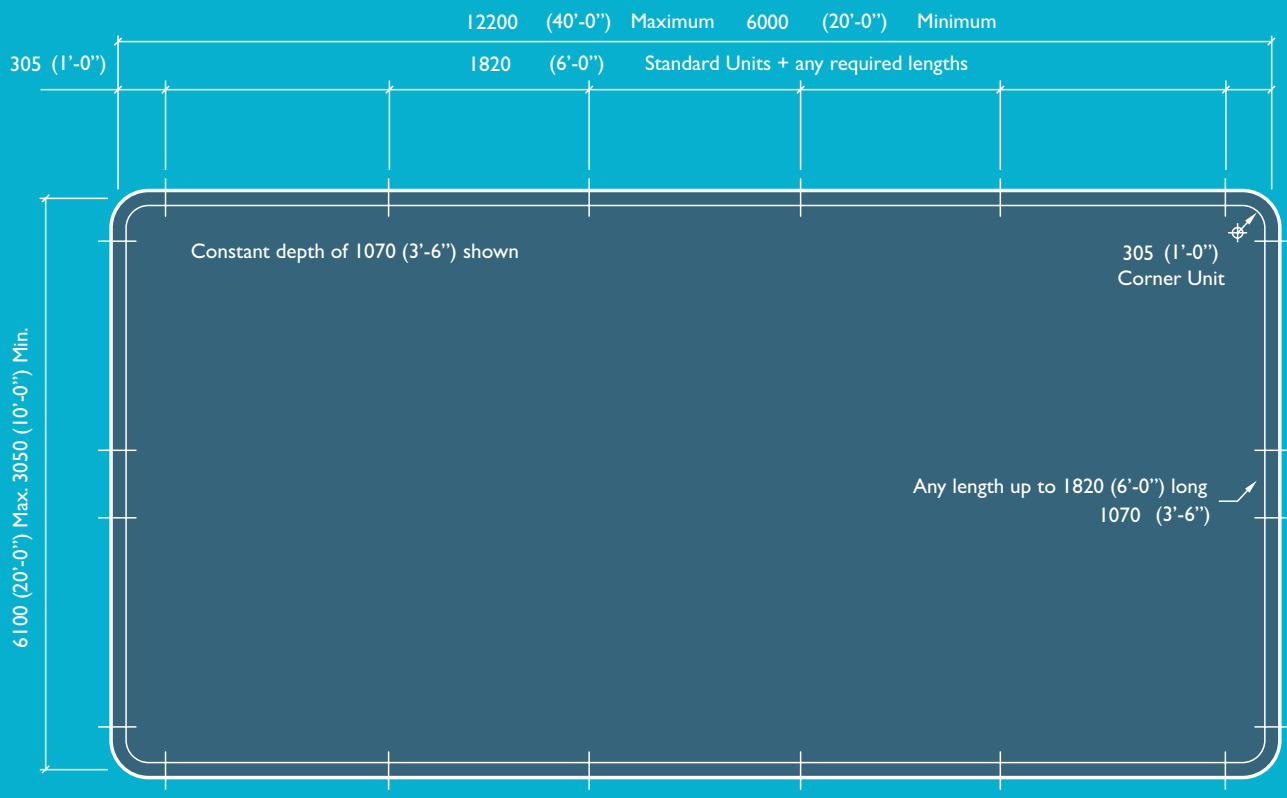
ELEVATION



LAYOUT SUGGESTION FOR STANDARD OVAL POOL

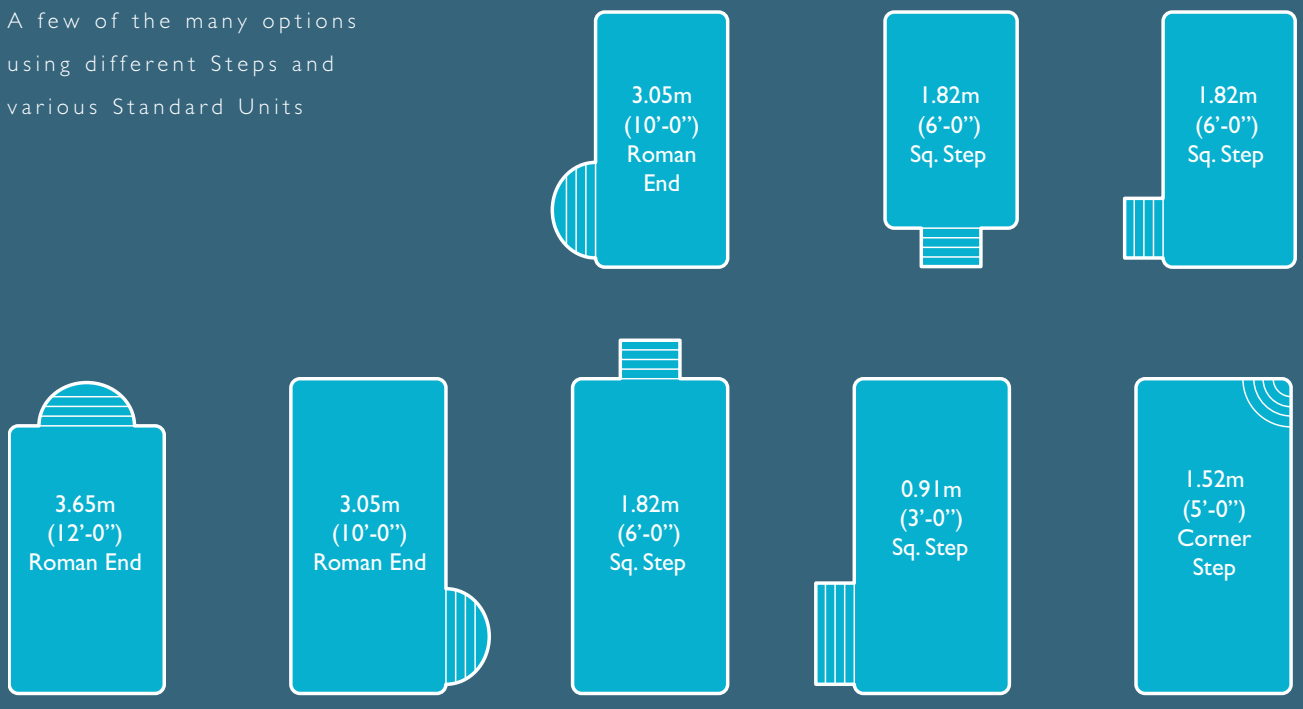
A few of the many options using different Steps and various Standard Units

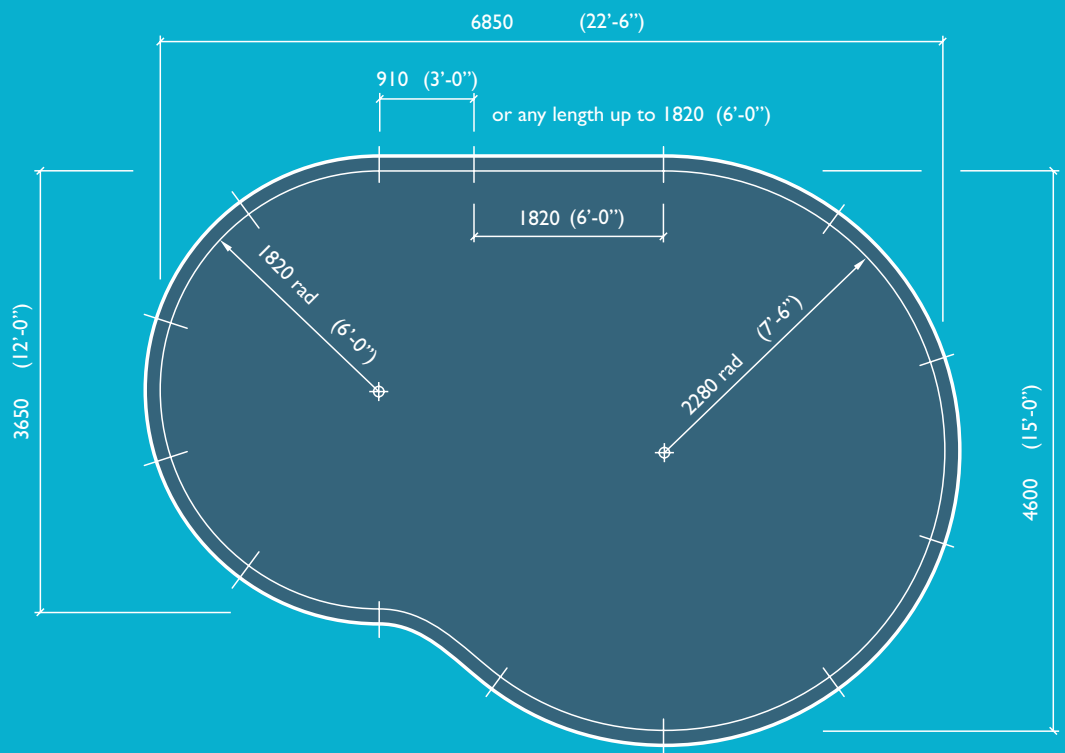




LAYOUT SUGGESTION FOR RECTANGULAR POOL

A few of the many options using different Steps and various Standard Units

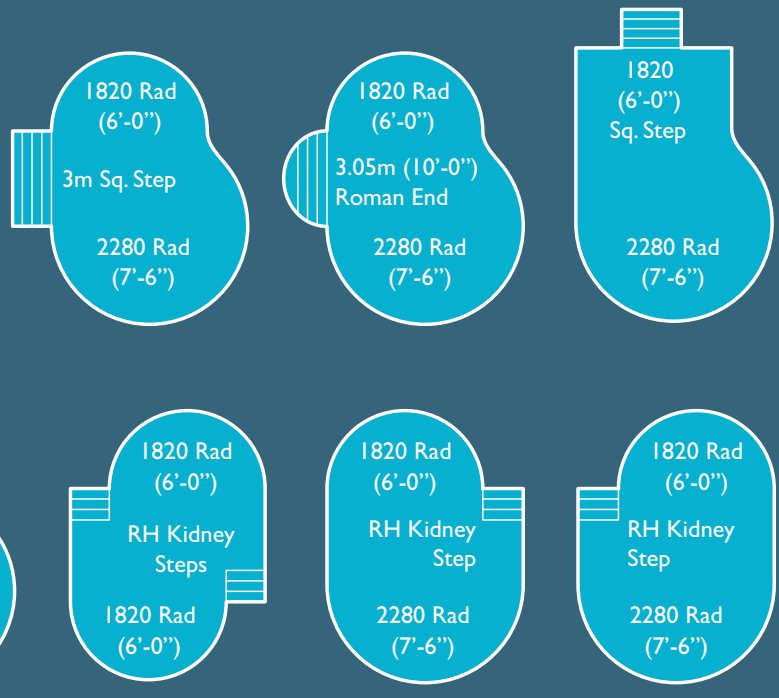


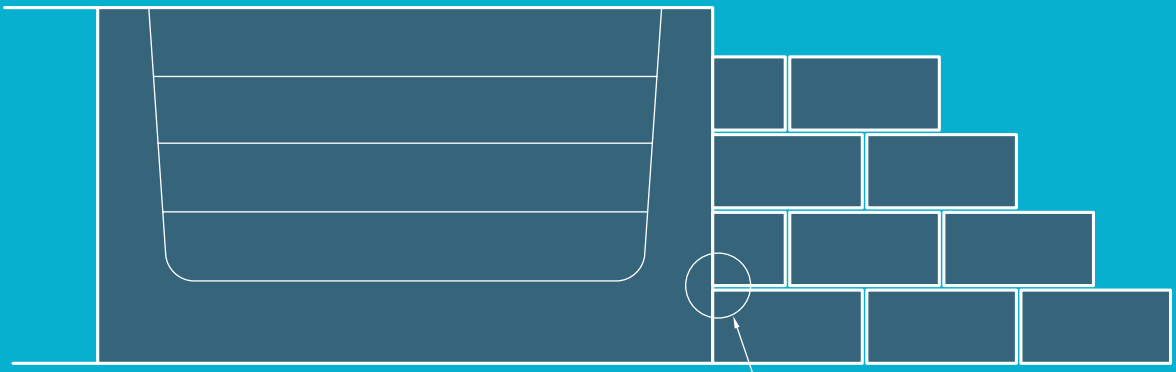


Sizes 6869 x 4600 8230 x 4600 9750 x 5790

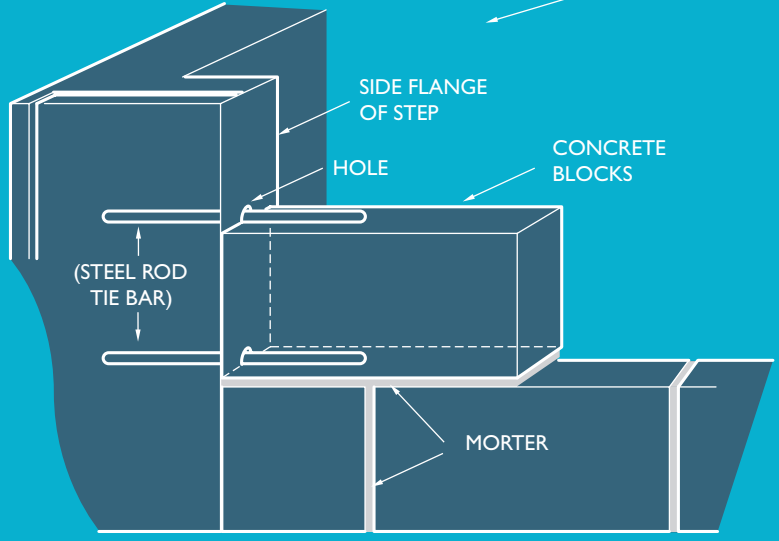
LAYOUT SUGGESTION FOR KIDNEY SHAPED POOL

A few of the many options using different Steps and various Standard Units



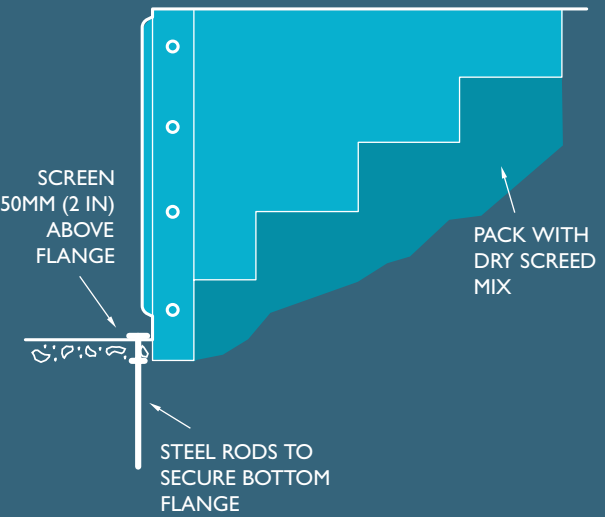


DETAIL



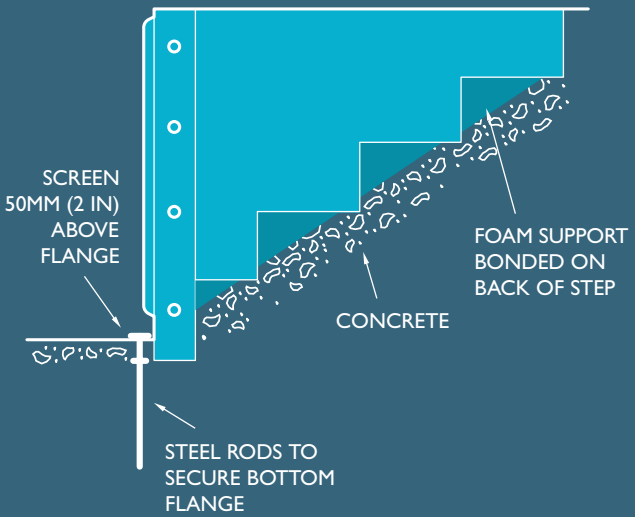
STEP INSTALLATION WITH BLOCKS

STEP WITHOUT FOAM



OR

STEP WITH FOAM



TERMS & CONDITIONS OF SALE

1. DEFINITIONS

In these conditions the following expression shall have the following meanings:

The Seller	Country Leisure
The Buyer	The person firm or company to whom Goods are supplied under the contract
The Goods	The Goods as described in the Seller's written Quotation Order Acknowledgement or Invoices
The Contract	The Contract for the supply of Goods by the Seller to the Buyer comprising these Terms and Conditions.

2. PRICE

Subject to the terms of the Contract the price of the Goods shall be as stated in the Seller's current price list. The Seller may increase the price of the Goods to take account of any increase in the Cost to the Seller of producing or delivering the Goods which occurs due to causes beyond the Seller's control between the date on which the Goods are ordered and the date of delivery. Any price quoted to the Buyer shall be exclusive of Value Added Tax import or export duty or any other tax or duty which may be levied or charged in the United Kingdom or elsewhere.

3. TIME OF DELIVERY

The Seller will endeavour to meet any times given by the Seller for the delivery of Goods but any dates given by the Seller are estimates only and the Seller shall not be liable for any loss damage or expense suffered by the Buyer by reason (whether directly or indirectly) of the seller's failure to meet any date estimated.

4. WARRANTIES

Products which prove faulty through materials or workmanship during the period of 1 year from the date of delivery or collection will be replaced or repaired free of charge providing that adequate protection has been given on site and fixed strictly in accordance with our recommendations. This guarantee only extends to the replacement or repair of the product, no responsibility is borne in respect of a third party or other trades.

5. LIMITATION AND LIABILITY

- 5.1 The warranty contained in clause 4 hereof is the only warranty made by the Seller and subject thereto all express or implied warranties or conditions whether as to quality or fitness for purpose are hereby expressly excluded.
- 5.2 The Seller shall not be liable for any lost profits or for any consequential loss injury or damage of any nature whatsoever arising out of or in connection with the use of the Goods even if the Seller has been advised of the possibility of such loss injury or damage.

6. PAYMENT

- 6.1 Payment for the Goods shall be made within 30 days from the date of the Seller's invoice in respect thereof.
- 6.2 If payment for the Goods shall not be made within 30 days of the date of the Seller's invoice in respect thereof the Seller shall be entitled to charge interest at the rate of 1 1/2% of the sum due to the Seller under the terms of the Contract for each month or part of a month for which payment is due and unpaid.

7. DELIVERY AND RISK

- 7.1 Unless otherwise agreed in writing by me Seller delivery of the Goods shall be Ex Works the Seller's premises and me Buyer shall take delivery of the Goods as soon as they are placed at his disposal.
- 7.2 Risk in the Goods shall pass to the Buyer as soon as one of the following events shall occur:
 - 7.2.1 upon the despatch thereof from the Seller's premises
 - 7.2.2 when the Seller has notified the Buyer that the Goods are ready for delivery and the Buyer fails or refuses to take delivery of the Goods after the date of delivery state in the Contract.
 - 7.2.3 when the property therein passes to the Buyer in accordance with the provisions of clause 8.

8. TITLE

- 8.1 The Buyer expresses acknowledges that before entering into this Contract it has represented and warranted to the Seller that being an individual he has not committed any act of bankruptcy of being a Company that none of its officers or employees know of any circumstances which would entitle any debenture holder or secured creditor thereof to appoint a Receiver or entitle any party to petition for winding up or exercise any rights over or against the Buyer's assets or undertaking. The Goods will remain the sole and absolute property of the Seller until such time as the Buyer shall have paid for the Goods in accordance with the terms hereof.
- 8.2 The Buyer acknowledges that it is in possession of the Goods solely as bailee for the Seller to the extent of the amount remaining owing to the Seller in respect of the products until such time as the full price thereof is paid to the Seller.
- 8.3 Until such time as the Buyer becomes the owner of the Goods it will store them on its premises separately from its Goods or those of any other person firm or company and in a manner which makes the Goods readily identifiable as the Seller's Goods.
- 8.4 The Buyer's right to possession of the Goods shall cease if any event which would terminate or would entitle the Seller to terminate the Contract occurs the Seller may (without prejudice to any of its other rights) for the purpose of recovering the products enter upon any premises where they are stored or where it reasonably believes them to be stored and may repossess the same.
- 8.5 The Buyer may not sell the Goods or grant an interest therein until payment in full for the Goods has been received by the Seller in accordance with these terms and conditions. If in contravention of this provision the Buyer sells the Goods or disposes of any interest therein the Buyer shall thereupon hold such part of the proceeds of such sale or disposal as is equal to the amount remaining owing to the Seller in respect of the Goods in trust for such sums shall be held in a separately designated bank account.
PROVIDED THAT if in contravention of this provision such sums are mixed with other monies the Seller shall be entitled to trace such proceeds.

9. CATALOGUES

Illustrations photographs or specifications of the Goods supplied by the Seller and forming part of any quotation proposal catalogue or otherwise supplied by the Seller antecedent to the date of the Contract are for general guidance only and the Buyer acknowledges that he has not relied on the same as a description of the Goods to be supplied by the Seller under the Contract.

10. FORCE MAJEURE

- 10.1 The Seller shall not be liable if the supply of Goods is hindered or delayed by reason of strikes sit-ins trade disputes lock-outs or any other actual or threatened industrial action or by difficulty in obtaining labour plan materials or components or by breakdown of plant and machinery (including transport) or by interruption of power supplies or by fire or legal action by any third party whether or not any of the aforesaid was caused by the negligence of the Seller's control which shall include but not be limited to war of a civil or duly constituted authority and all other cases of force majeure.
- 10.2 If the manufacture or delivery of the full quantity of the Goods hereunder is prevented hindered or delayed by reason of any of the circumstances within clause 10.1 then without prejudice to the apportionment of the Goods at its discretion between the Buyer and other customers of the Seller and to deliver the quantity so apportioned to the Buyer until such time as the full quantity of the Goods can be and is delivered hereunder.

11. TERMINATION

- 11.1 The Contract shall automatically terminate if the buyer being an individual or in the case of a firm a member therefore commits any act of bankruptcy or has a receiving order made against him or has any process of distress or execution levied against his goods and makes any arrangement with his creditors before properly in the Goods has passed to the Buyer hereunder.
- 11.2 If the Buyer being a limited company has Receiver appointed over its assets or goes into liquidation or ceases to carry on business or if the Seller reasonably considers that any of the said events is about to occur before the property in the Goods has passed to the Buyer the Seller may terminate the Contract forthwith by notice in writing
- 11.3 Upon termination of the Contract the Seller shall be entitled to recover payments for all Goods supplied and for costs of materials and labour already expended by the Seller for the purpose of future deliveries of Goods and to recover from the Buyer a sum equivalent to the Seller's loss of profit arising out of such termination (which sum shall be certified by the Seller and notified to the Buyer whereupon it shall be final and binding upon the parties).
- 11.4 The exercise of rights under clause 1 will not prejudice the Seller's rights to damages or other compensation or other remedies arising out of the termination of the Contract.

12. COURSE OF DEALINGS

The Buyer hereby acknowledges and agrees that unless otherwise agreed by the Seller in writing any future dealings between the parties after completion of the Contract shall be on these terms and conditions and that the Seller shall not be obliged to provide the Buyer with further copies thereof.

13. SUBSTITUTIONS AND MODIFICATION...

The Seller reserves the right to make substitutions and modifications in the specifications of the Goods provided that such substitutions or modifications will not materially and adversely affect the performance of the Goods by the Seller but the Seller shall not be bound to incorporate any new design or improved or altered features into the Goods after they have been ordered by the Buyer.

14. ASSIGNMENT

The Buyer may not assign the Contract in whole or in part without the written consent of the Buyer.

15. NOTICES

Any notice given for the purpose of the Contract shall be given in writing addressed to the party upon whom it is intended to be served at its address in the Contract or its last known address. Any such notice shall be deemed to be served two days from the date of posting and in proving service it shall be sufficient to show that the letter containing such notice was properly addressed and posted for delivery.

16. WAIVER

The Seller's failure to exercise any of its rights under the Contract shall not constitute or be deemed to be a waiver of forfeiture of such rights.

17. JURISDICTION

The Law concerning the Contract shall be the law of England and any dispute arising out of or in connection with the Contract shall be submitted to the jurisdiction of the English Courts except that the Seller may elect at its sole discretion and be entitled to proceed in Scotland or Northern Ireland or any foreign jurisdiction whenever proceedings may lawfully be brought against the Buyer.

18. GENERAL

In this Contract:

- 18.1 Words importing the singular shall be deemed to import the plural where the context so requires and vice versa
- 18.2 Words importing the masculine gender shall be deemed to import the feminine where the context so requires and vice versa
- 18.3 The headings are inserted for convenience only and shall not affect the interpretation or construction of the Contract.



Loyal Grove Leisure

the flume & water slide specialist

Loyal Grove Leisure has expanded its product range extensively over the years and has a complete range of precision moulds and tooling available to produce the very best quality GRP flume, stair and associated products. We are ideally suited and experienced to advise on standard and bespoke proposals and follow through to manufacture and installation.

All new installations are designed in accordance with BS.EN.1069. Part 1 and

manufactured and installed to the appropriate British Standards. Inspection of components during manufacture is welcomed, by arrangement, at our parent company Country Leisure (G.R.P.) Limited.

We offer a complete package from the initial site meeting and submission of preliminary design sketches through to the final C.A.D. layout drawings complete with all necessary loading and structural calculations etc., to satisfy your engineers.

LOYAL GROVE LEISURE WAS
FOUNDED IN 1991 AND HAS
ALWAYS OFFERED AN INNOVATIVE
APPROACH TO FLUME DESIGNS.
IN AUGUST 1999 LOYAL GROVE
LEISURE WAS ACQUIRED BY
COUNTRY LEISURE (G.R.P.)
LIMITED AND ALTHOUGH
OPERATING AS AN ENTIRELY
SEPARATE ORGANISATION, HAS
THE UNRIVALLED BACKING OF
THIS LARGE COMPANY IN THE
SUPPLY OF ITS GRP FLUME AND
ASSOCIATED COMPONENTS,
TOGETHER WITH HIGHLY SKILLED
AND EXPERIENCED FACTORY AND
SITE LABOUR FOR SPECIALIST
REPAIRS AND SERVICE

THE FLUME & WATER SLIDE SPECIALISTS

WESTGATE LEISURE - CHICHESTER
50M AQUASLIDE, PARTLY SUSPENDED FROM
ROOF STRUCTURE WITH AQUACATCH SYSTEM
AND MODULAR GRP STAIRS.





**WINDTOWN POOL
NAVAN CO. MEATH**

40M TRANSLUCENT SPEED TUBE WITH
AQUACATCH SYSTEM AND MODULAR
GRP SPIRAL STAIRS.

ANY OF THE FEATURES CAN BE
INCORPORATED AT THE DESIGN
STAGE IN NEW INSTALLATIONS
OR FITTED, WITH VERY LITTLE
DISRUPTION, TO EXISTING
FLUMES TO INCREASE INTEREST
AND EXCITEMENT.

THE LOYAL GROVE AQUASTOP
SYSTEM IS PARTICULARLY USEFUL
TO INCREASE SAFETY AND
REDUCE STAFFING. IT CAN BE
INCORPORATED IN ANY OF OUR
RANGE OF FLUMES AND IS IDEALLY
SUITED FOR EXISTING FLUMES.
IT CAN BE FITTED (WITH VERY
LITTLE MODIFICATIONS) TO THE
POOLSIDE IF SUFFICIENT SPACE
IS AVAILABLE OR OVER EXISTING
SPLASH POOLS CARRIED ON
STAINLESS STEEL SUPPORTS WITH
G.R.P., EXIT STEPS. THIS METHOD
REQUIRES NO MODIFICATIONS TO
THE FLUME WATER SYSTEM.

SERVICE

- Flume maintenance with certificate.
- Refurbishment of existing installations including repair and painting of supports.
- Staircase/landing replacement with modular GRP straight or spiral stairs.
- Flume reline.
- Refurbishment of existing steel staircase (if condition allow) including repainting and fitting Loyal Grove non slip GRP overtreads.
- Technical and consultant services.
- Design and Construct packages.
- Project Management.

PRODUCTS

- Aquaslides open and tubed (black hole or translucent).
- Speed Tubes.
- Supaflume open and tubed.
- Multislide (any number of tracks)
- Free fall.
- Various other large or small flumes (standard or bespoke).
- Aquastop systems to suit all flumes (new or existing).
- G.R.P. straight and spiral stair modules.
- G.R.P. landing and launch modules to suit.
- All stair components have a non slip textured surface and are self draining.
- Flume reline laminates.

**PROVEN BLACK HOLE FLUME
FEATURES INCLUDING:**

- 'Strobe' light effect.
- 'Time Tunnel' light effect.
- 'Time Warp' light effect.
- Stop/Go sensor operated or pre-set timer traffic light systems with or without speed record and audio start message.
- Ultraviolet light images.
- Cold water deluge.
- Water curtain with projected light image.
- Customised sound effects.
- Smoke effects.
- Fibre optic sparkling light effect.
- Decoration and theme of exterior surface of flumes to suit clients request and create a different new appearance at a low cost.



COUNTRY LEISURE
GRP LIMITED

MANUFACTURERS OF G.R.P.
SWIMMING POOL PRODUCTS

Cholderton, Salisbury,
Wiltshire SP4 0EQ

ENGLAND

TEL: +44 01980 629555

FAX: +44 01980 629501

www.countryleisure.co.uk

e-mail: sales@countryleisure.co.uk