



WOODEN POOL

INSTALLATION INSTRUCTIONS



Plastica Limited
Perimeter House, Napier Road,
St Leonards-on-Sea,
East Sussex TN38 9NY
Tel: 01424 857857



www.plasticapools.com

Premium & Relax Wooden Swimming Pools

IMPORTANT NOTE: These instructions are intended to be used in conjunction with the DVD disc also included with this package. Please study both very carefully before proceeding with construction.

Recommendations for storage after delivery

Prior to assembly the wood in the wall of the pool is sensitive to variations in temperature and humidity. It is therefore necessary that you take the following precautions after delivery.

Do not:

- Keep the wood in sunlight or under a black cover, as this could cause the wood which makes up the walls and top shelving to warp, which will make installation extremely difficult.
- Assemble the shell in several stages, leaving the wood exposed to the strong sunlight.
- Use unsuitable tools.

Strongly recommended:

- Unpack and assemble the structure as soon as possible after receipt.
- Assemble the structure in one go, preferably in the morning while the temperature is cool.
- If not, store the pool in a cool well-ventilated place, sheltered from sun and rain.
- Store the hardwood top shelving flat under weight.

Please Note

- If the wooden planks and/or the borders are damaged or cracked due to bad storage onsite, the shell will be unusable and not covered by warranty.

Specific precautions:

It is essential that you install the structure on a smooth, hard surface that will not deform. You must prepare the ground as advised in this document.

Use suitable tools.

Unless your filtration kit (filter and pump) is housed within a secure waterproof enclosure, it should be placed at least 2 metres from the shell, to avoid the risk of electric shocks. It is important to ensure the electricity supply for the pump or any other electrical item has 30mA RCD protection. Never leave children unattended around the shell.

When pool is not in use, remove the exterior ladder to minimise the risk of a child or animal falling in the pool.

The pool is designed for domestic use. Running along the top rail, diving or jumping into the water from the edge should not be allowed under any circumstance.

Wood is a living material, however once cut, the appearance of cracks, light movements of the wood or changes of colour are normal and the planks do not need to be replaced, excepting in extreme circumstances. The planks will have been treated recently and may be delivered to you still moist. In case of a rapid change in temperature, these planks can dry very rapidly and lose 1 or 2mm of height. This might give you the impression that they are lifting up while they are actually shrinking. At the end of the season, it might be helpful to remove the top shelving, and knock the planks firmly home with a mallet to correct the fitting.

Wooden parts of the pool

Your pool walls are made from planks of pine, known for many years for its toughness and long life. It is subject to harsh climatic conditions in its native environment and the trees grow slowly, which makes them stronger with a higher density. The timber is treated with "Tanalith E", including a water repellent, which protects it against woodworm, termites and fungi etc. "Tannalising" is a pressure treatment with preservatives, which allows the exposed wood to be in permanent contact with the ground without detrimental effects. The wood when fully impregnated takes on a green tint.

The top shelving is of a Hardwood, renowned for its durability and consistent quality. After many years, it takes on a grey/silver sheen. If you wish to avoid this colour change, we advise you to treat it with teak oil, or similar. Later on you can also recover the natural tint by cleaning the wood with a high pressure cleaner (Do not allow the lance near the liner) to remove the superficial layer, which has changed colour.

Composition of the kit – see pages 16 & 17 for full details

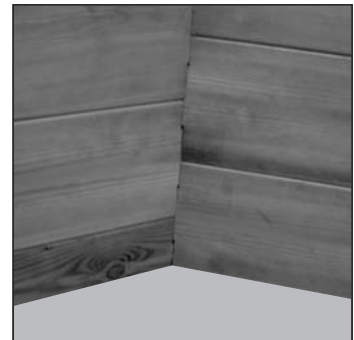
Composition of the pool walls

Once finished, your shell should have 8 sides of identical height each one having 9¹/₂ planks (excepting 4m octagonal, composed of 8¹/₂ planks). The first layer is created by laying alternately a half plank then a full plank and so on. The total height of the wall when fully assembled and before fitting the top shelving should be 1.31m (excepting for the 4m octagon which should be 1.17m). The walls alternate starting with half and full planks, see Figure 1.

Following is the composition of the wooden pool shell.

- 4 half planks (7cm high, 4.5cm thick, with flat bottoms)
- 4 plain planks (13cm high/4.5cm thick, with flat bottoms)
- 64 plain planks 13cm high/4.5cm thick, (4m octagon only 58 planks)
- 1 plank (1 piece 13cm high) with a hole cut for the return inlet
- 1 plank (1 piece 13cm high) bottom with cut-out for skimmer
- 1 extended plank top without tongue with cut-out for skimmer
- 3 plain extended top planks without tongues
- 4 extended top half planks without tongue for the top layer.

Figure 1.



Preparation of the base

Your pool should last for many years, so take the time to install it properly, to ensure a long and trouble free life.

It is imperative to install the shell on a smooth, stable, hard surface. You must prepare your base to clear it of all irregularities. We advise the laying of a 150mm thick reinforced concrete base on which to install the shell. The base should be perfectly level and with a smooth finish. If this is not possible, then a well paved area with a firm base is an alternative solution. Refer to pages 4 and 5 for the recommended dimensions of the base.

Attention: for the installation of a stretched Octagon pool which is to be installed above ground or part submerged, you will need to use optional support braces cast in or fixed onto the concrete base. The nature of the bracing used will depend on whether the base is existing, where wooden braces would be most suitable, or to be purpose built, in which case we strongly recommend the use of steel braces, set in the base at the time of pouring the concrete, (see pages 5&6 for details of spacings). See Figures 7 & 8 on page 9.

To accommodate the extra width required for these braces, when used on the stretched pools, the concrete base needs to be to dimensions shown on page 5. The wooden braces project from each side, so need a wider base to fix onto. The metal braces must be cast accurately in position in the reinforced concrete base.

All stretched octagon and 6m octagon pools must have the vertical support braces attached.

For pools installed fully in ground, bracing is not necessary, providing that the excavated area around the pool is properly backfilled, using pea shingle (self compacting) and not soil or spoil already excavated as this will move and settle with time.

Assembly of the pool

Tools & materials required for assembly

Non metallic mallet of at least 1kg (fitting of wall beams)
Special soft wood block for protecting beam tongues (supplied with kit).
Cross head screw driver
Large spirit level
Electric drill or preferably two
Tenon saw (preferably) or Hack saw (for cutting plastic pipework and liner lock)
Trimming knife (Stanley knife or similar)
Tape measure
Cylinder or wet & dry type vacuum cleaner

Leave a whole day for assembly, excluding time to fill the pool. We advise you to carefully follow the assembly stages in the correct order to avoid errors or waste of time. Place the liner in the sun to warm it and make it more supple to work with.

Setting out the pool

Before starting assembly, you should decide the position of the skimmer, the ladders and the return inlet.

If possible place the skimmer in a wall where the prevailing wind will blow towards it. This will help it capture floating debris such as leaves. The skimmer must be placed in a wall which starts with a half plank on the ground.

The return can be placed on an adjoining wall to the skimmer, and the ladder must be on a separate wall to either the skimmer or return.

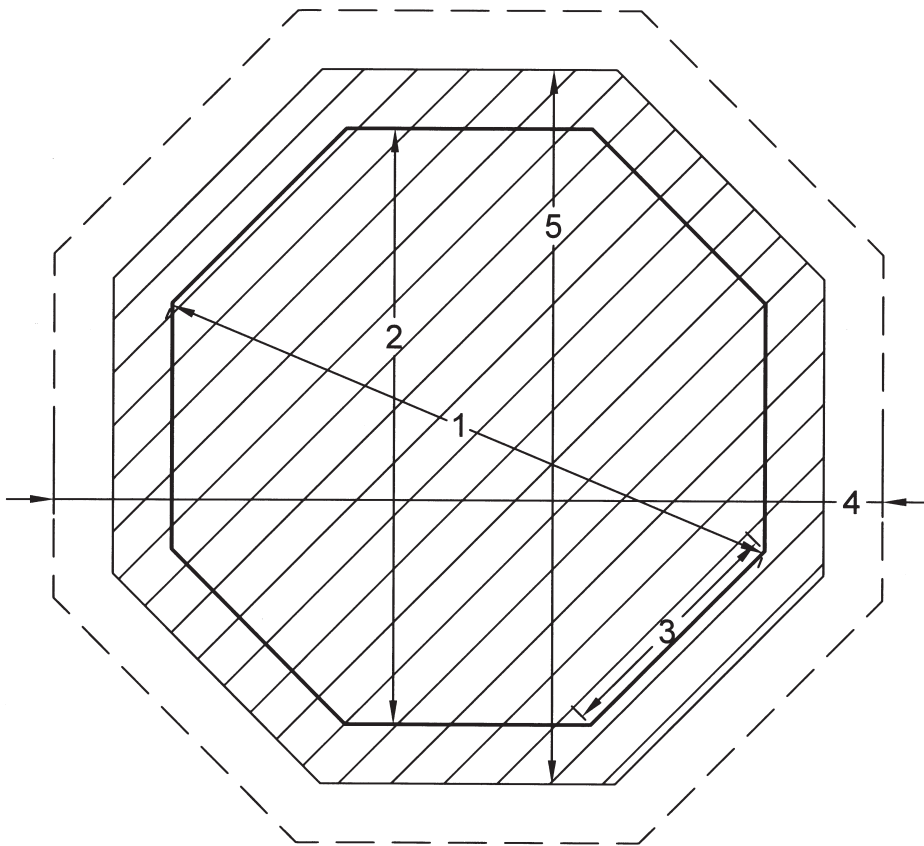
The dimensions for marking out the floor plan are shown on pages 4, 5, 6 & 7.

The easiest way to get started is to assemble the bottom layer of half and full planks. The cut outs will naturally force the structure to adopt the correct shape.

By measuring the diagonals, you can see if the pool walls are parallel. If they need adjusting, have someone place a foot on one side of the pool, whilst you tap the opposite side such that you are pushing the longer diagonal towards the centre of the pool.

With the stretch octagon pools, you also have to line up the sides relative to the position of the braces, so get one long side correct, and adjust the opposite side to match.

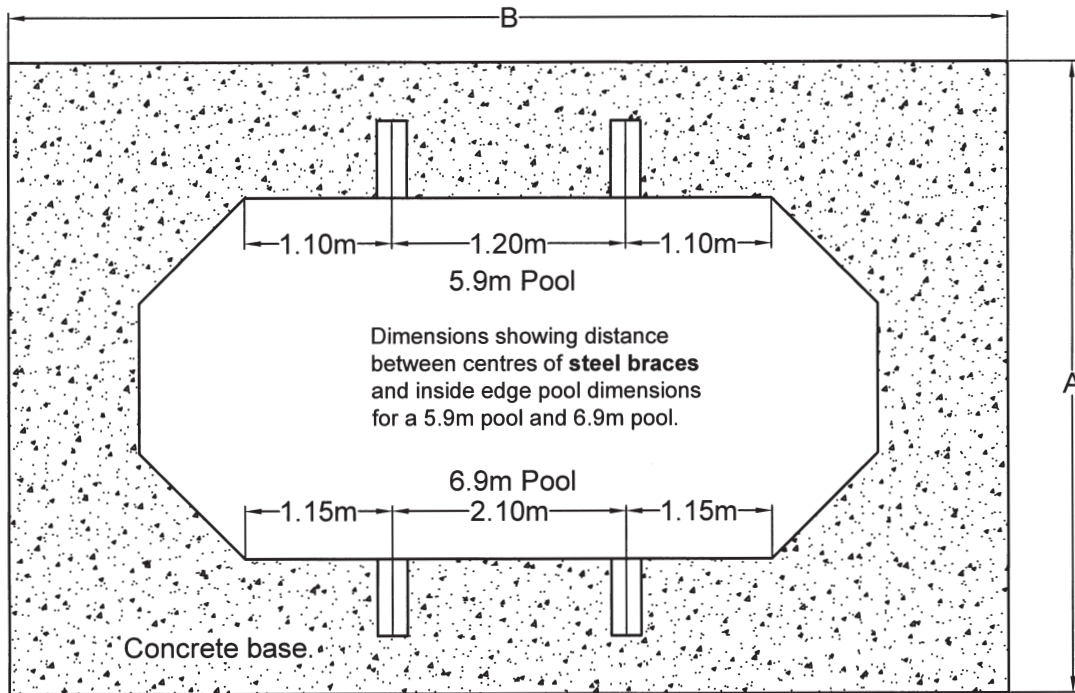
Excavation/Concrete Base dimensions for different size Octagon pools



Excavation
 Concrete
 Pool Wall

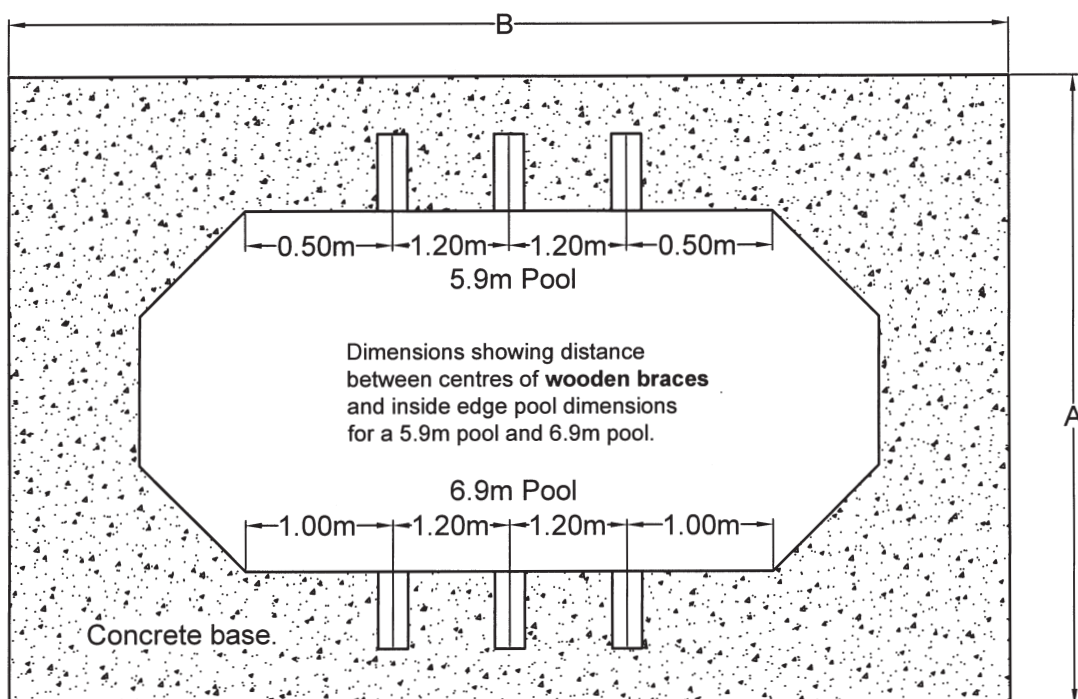
POOL & SURROUND DIMENSIONS	4m Octagon	5m Octagon	6m Octagon
1. Diagonal (int.)	4.00m	5.00m	6.00m
2. Width (int.)	3.70m	4.62m	5.55m
3. Wall length (int.)	1.53m	1.91m	2.30m
4. Excavation for in ground pool	4.40m x 4.40m	5.32m x 5.32m	6.25m x 6.25m
5. Concrete Base	4.20m x 4.20m	5.12m x 5.12m	6.05m x 6.05m

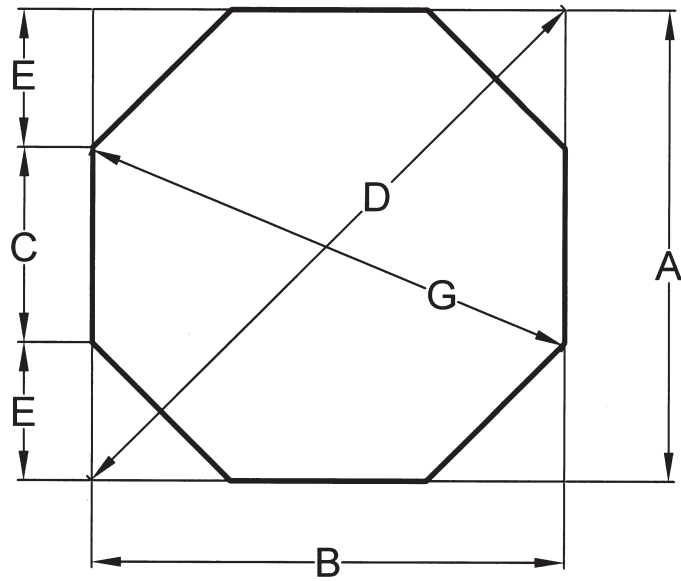
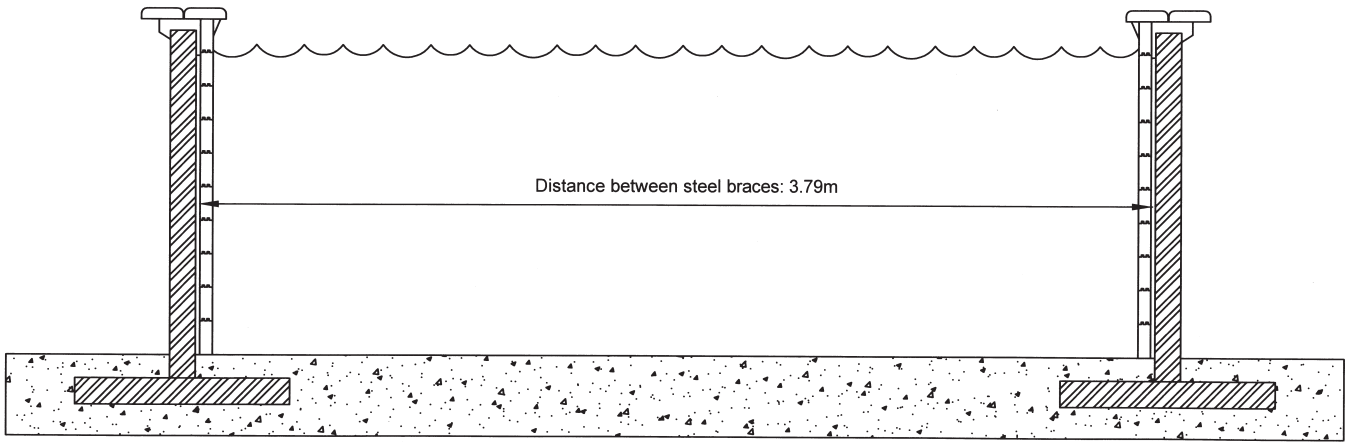
Excavation/Concrete Base dimensions for stretch pools with steel braces



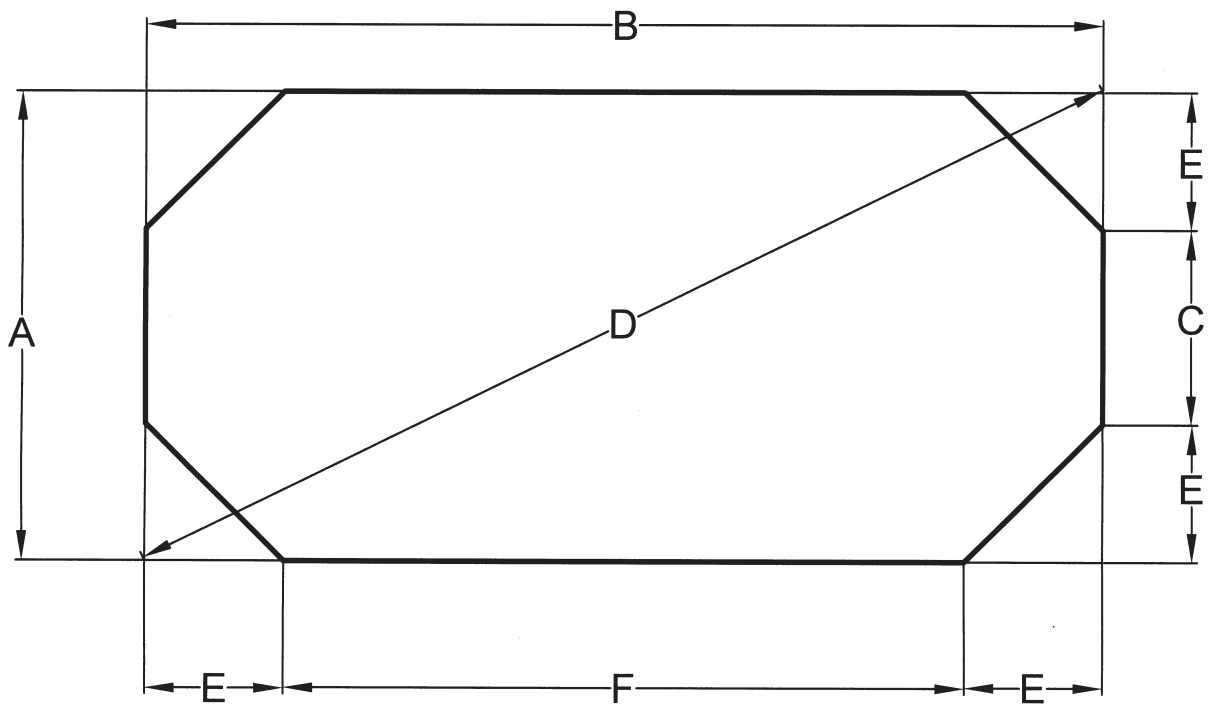
POOL SIZE	DIMENSION A Concrete Base (STEEL BRACES)	DIMENSION A Concrete Base (WOODEN BRACES)	DIMENSION B Concrete Base
4.0m x 5.90m	5.37m	6.25m	6.50m
4.0m x 6.90m	5.37m	6.25m	7.50m

Excavation/Concrete Base dimensions for stretch pools with wooden braces





Dimensions of the pool structure



Dimensions of the pool structure

	4m Octagon	5m Octagon	6m Octagon	4m x 5.90m	4m x 6.90m
A	3.70m	4.62m	5.55m	3.70m	3.70m
B	3.70m	4.62m	5.55m	5.57m	6.57m
C	1.53m	1.91m	2.30m	1.53m	1.53m
D	5.23m	6.53m	7.85m	6.69m	7.54m
E	1.085m	1.355m	1.625m	1.085m	1.085m
F				340cm	440cm
G	4.00m	5.00m	6.00m		

Assembly of wall beams

Stack the planks in piles and in their correct order of installation, adjacent to their eventual position. All of the planks are 45mm thick, tongued and grooved top and bottom respectively along their full lengths. The ends of the beams are slotted at 45° to allow them to interlock together at each corner. The planks are placed one upon another and fixed together using tongues and grooves to locate vertically (tongues always facing upwards, grooves facing downwards) The cut outs at each end, allow you to accurately interlock each side wall section together at the correct angle, to form the octagonal shape.

As you fit each row of planks, use a mallet with the grooved wooden block protecting the tongued top edge of the plank to firmly tap them fully home. If you hit directly onto the tongues you will damage them and will not be able to key the next row of planks properly into place.

Figure 2. INCORRECT

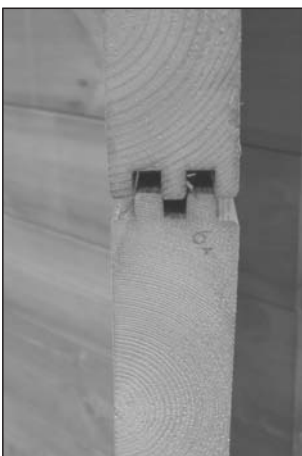


Figure 3. CORRECT



Figure 4. Top of Wall.



ATTENTION: In order not to have gaps between the planks, you must ensure every plank is well interlocked from the start with no gaps showing. If some planks are bowed, start fitting from one end and using the tongue and grooves as rails, gradually work along the length with the block and mallet, striking firmly. In extreme cases a clamp may have to be used but this is extremely unlikely. (See Figures 2 & 3 above).

The first layer of planks

Start the assembly commencing with the four half planks having a flat underside and tongues facing upwards, placed at alternate wall positions. One of these should be placed facing the prevailing wind as this will be the wall in which the skimmer will be installed. The next four planks will be full height, and interlinked into the half planks by means of the 45° slots at each end. You should now have an octagonal frame consisting of four half and four full planks, all with two upward facing tongues. For the extended pools, the bottom long planks on each side should be half height.

Building up the walls

Continue building up the walls by fitting the remaining layers of planks. From a suitable starting point, work around the pool in the same direction on each layer. If a plank does not interlink properly, change it for another and try it elsewhere. Do not start a new layer without having interlinked each plank securely. Check the level at the 2nd or 3rd layer with a large spirit level and measure to check that the diagonals are still all of equal length.

Fitting the plank with the return inlet hole

This plank should not be inserted in the same wall as either the skimmer or the ladder. To assist the mixing of the water once it comes back from the Filtration System, you should install the return fitting near the bottom of the pool wall. We suggest fitting it as the third plank up from the floor.

Fitting the skimmer & extended top planks

The skimmer cut out planks should be inserted in a wall starting with a half plank and facing towards the prevailing wind.

For the 4m octagon pool, the lower skimmer plank (with the recessed cut out at the rear), should be fitted as the seventh full plank, as the wall is a plank lower than the 5m & 6m pool.

Once the lower skimmer plank is firmly in place, lower the skimmer throat into the recess.

Now fit all of the extended top planks starting with the skimmer top plank, tapping it firmly into place, and then alternately half and full planks until wall is completed and level.

IMPORTANT

On the 6m octagon and the extended length pools (5.90m & 6.90m), additional vertical support planks need to be fitted. These are fixed to the outside of the pool wall by means of 5mm x 100mm csk screws which are fitted from the inside - one screw per horizontal wall plank. See figures 5&6.

In the case of the 6m octagon pool, one support plank should be fitted as near to the centre of each wall as possible, bearing in mind that it must be offset slightly in the case of the walls containing the skimmer and return inlet.

For the extended pools using the wooden braces, the support spacings are shown on the lower diagram on page 5. Where steel braces are used, the supports should rest tightly against the sides of the braces. This will make it easy for you to box in and camouflage the braces if required.

Figure 5.



Figure 6.



Fitting wooden support braces to extended pools installed above ground

Referring to figures 6 & 7, fit the brace around the vertical support plank and as tightly up against the pool wall as possible.

Drill 13mm holes, one each through top and bottom joints of the brace and support and secure them using 2 off M12 x 130mm bolt and nuts, with a washer on each side of the brace.

Offer one galvanised bracket, pressed up firmly against the side of the brace and the concrete base, approximately 300mm from the pool wall. Drill a 12mm dia hole through the bracket 85mm into the concrete. Secure the bracket to the floor using the 12mm x 80mm expanding bolt.

Fit the second bracket on the other side of the brace, approximately 600mm from the pool wall, and fix as described above.

Drill two 13mm dia holes through each bracket and brace and secure using M12 x 130mm Bolts nuts and washers (washers on the opposite side of the brace from the bracket).

Figure 7.

Metal Brace to be set in Concrete.



Figure 8.

Wooden Brace to be set on Concrete.



Assembly & installation of the external wooden ladder

The ladder consists of two side pieces, three wooden steps, eighteen screws and two 10mm bolts complete with nuts & washers for fixing to the support brackets.

Start by drilling 3 equi-spaced 2mm dia holes in each of the slots in the side pieces, countersinking them on the outside. Next place one side on the floor with the slots facing upwards and tap in the three steps with their front edges flush with the front of the step side.

Next fit the other side piece, tapping fully and firmly home. Finally screw securely together.

The ladder is connected to the pool by using two of the top shelf support brackets. It is important that the grain of the wood of the brackets runs horizontally when fitted. First measure the outside width of the ladder and then the outside length of the pool wall, divide the difference between the two dimensions and measure in from one outside end of the wall. Draw a vertical line which marks the inside edge of the first support bracket. From the inside of the pool, mark the centre line of the bracket. Offer the ladder up to the wall and set in its correct position. Drill two holes through the wall approximately 40mm and 160mm down from top edge of wall, using a 6mm drill bit. Countersink the holes on the inside of the wall, offer up the bracket making sure that the top of the bracket is perfectly level with the top of the pool wall and vertical. Secure using two 5mm x 100mm csk screws. Position the second bracket on the opposite side of the ladder and fix in the same manner as the first one. Remember to leave a few millimetres of clearance between brackets and ladder sides.

Finally drill two 11mm bolt holes through the brackets, using the ladder holes as a guide and secure the ladder by feeding the bolts from the inside of the ladder with the nuts and washers fitted on the outside

Fitting the remaining support brackets

It is necessary to fit a support bracket on either side of the skimmer opening. The spacing between these should be 200mm either side of the centre line of the wall thus giving a gap of 400mm between them. Finally the remaining brackets can be fitted at the centre points of the remaining six walls.

The final stage in assembling the pool structure is to cap the vertical ends of the walls which is basically for cosmetic purposes. Take the vertical measurements of the ends of the pool walls from the floor to the underside of the extended top beams. You will have two different dimensions and therefore need to cut eight of the special end capping sections provided to each length. Gently tap these cappings on to the end of each wall section and fix in position with 25mm panel pins or oval nails. If you wish you can cut and use the capping offcuts to fit on the end of each of the extended top rails.

NB.

If you are utilising the hidden fixings kit, you will need to drop all the support brackets down the wall by the thickness of one of the metal plates.

After fitting the metal plates to the top of the support brackets, the top rail will then sit flush on the top of the pool wall. See Figure 15

LINER INSTALLATION

Fitting of the linerlock

Linerlock is the white plastic extrusion which holds the top of the pool liner in position. The actual channel opening should be at the top when fixed to pool wall.

First measure the horizontal length of a side wall (In the case of a 4m octagon pool, this length should be 1.53m). You will need to cut eight pieces of linerlock to this length, remembering that each end should be chamfered to 22.5° to obtain a good neat fit to the next length at each corner. It may be necessary to make some sections from two pieces as the linerlock is supplied in standard lengths, which do not divide exactly into the correct sizes for all pools.

Starting 25mm in from each end, drill equi-spaced fixing holes at between 200mm - 250mm centres, depending on length of linerlock and number of screws supplied, using a 3mm drill bit. Now, using the 3mm x 35mm csk stainless steel screws provided fix the linerlock to the top of the walls, making sure that it is exactly flush with the top of the wall, all of the way around (see Figures 9&10).

The Liner is hung from the beaded top edge that fits into the linerlock track. As it hangs down vertically, it locks into place. See Figures 9 & 10.

Figure 9.

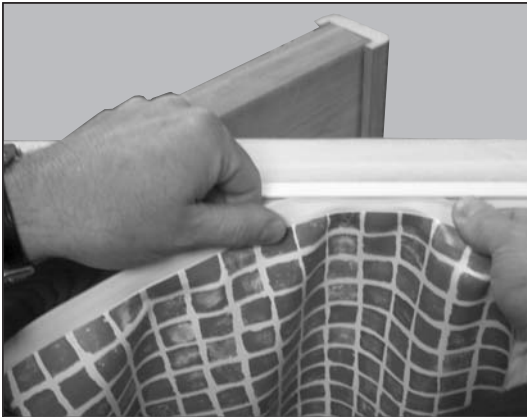


Figure 10.



Fitting the Return Inlet body

Insert the inlet body through the pre-cut hole in the pool wall from the inside. Secure the body in the wall, using 2 self tapping screws. Apply the self adhesive gasket to the front face of the fitting, lining up the screw holes. Store the eyeball, faceplate and screws in a safe place for future use.

Fitting the Skimmer body

The skimmer body should already be in place, but it now needs fixing into its recess with the screws provided.

Run a 3mm pilot drill through each hole to a depth of about 15mm.

Secure with six of the countersunk screws provided.

Once again fit one of the self adhesive gaskets to the face of the skimmer opening flange and ensure that all remaining components of skimmer are stored in a safe place for future use.

When you come to install the pipework, run this vertically down to the ground and then along the ground. This will provide additional support for the skimmer body, so all the weight does not rest on the throat.

Installation of foam underlay

After ensuring that the walls of pool are clean, dry and free of dust, carefully spray them and the mating surface of the underlay in a zig zag pattern with the can of spray adhesive. At the same time, gradually unroll the underlay around the inside of the wall making sure that it is firmly pressed home as you go, paying special attention to the corners. Using a Stanley knife or similar, trim around the top of the wall flush with the bottom of the linerlock. Butt and trim the vertical seam (do not overlap) and glue into place. Trim the underlay from around the return inlet and skimmer faceplates with a Stanley knife.

Installation of felt underlay

The floor must now be thoroughly cleaned and the felt carefully laid and cut exactly to the floor profile. Make sure that it is free from creases. Avoid overlapping the joints, it is better to butt them together so that you don't get unevenness which will show through the liner. Seal the joints with underlay tape to avoid movement during the fitting of the liner.

Fitting the liner

It is absolutely essential that ALL foreign bodies are excluded from between the liner and the underlay, which means that the underlay and the liner should be thoroughly cleaned (vacuumed) before installation. Also the person installing the liner from inside the pool should be barefoot or at worst wearing socks.

Lay the liner in place, and unfold it. Pull the liner approximately into position.

It is important to line the liner up accurately with the pool structure. The easiest way to start is to push your toes into a corner of the liner at floor level, and lifting the wall up vertically, start to feed the beading into the recess of the linerlock extrusion, (see figure 11).

Continue to feed the beading into the linerlock at the same time spreading the liner floor so that both the vertical corners and floor to wall corners line up. Should you experience difficulties in retaining the beading in the linerlock use small sections of linerlock wedge to lock it in place at the trouble areas.

Figure 11.



Figure 12.



If the liner appears to have a lot of packing creases, then it would be advantageous to leave the liner hanging in the sun for a few hours, prior to putting any water in the pool.

Insert the vacuum sweeper hose gently downwards between liner and underlay to near the bottom of the wall. Seal the opening at the top with underlay or gaffer tape.

Immediately switch on the vacuum cleaner and using your heels, gently ease the liner into position against the walls making sure that it is hanging true and vertical and that the floor to wall seam is as tight as possible against the base of the wall. Continue to adjust until all creases have been removed from the floor.

DO NOT PUT ANY WATER IN THE POOL OR CUT ANY OF THE FITTINGS UNTIL THE LINER IS CORRECTLY POSITIONED.

Filling the pool

Now the time has come to fill the pool using the mains water supply via a garden hose.

Once the water level has reached approximately 150mm and any creases have disappeared, switch off the vacuum cleaner and remove the hose, fitting the final piece of liner beading into the linerlock.

Cutting in the pool fittings

Care must be taken when fitting the faceplates, and cutting the liner to ensure that you achieve a tight and therefore watertight seal.

Once the water level has risen to approximately 50mm below the return inlet fitting, turn off the water.

You should be able to find the locating screws we fitted prior to the liner being installed. Make a small cut on each screw head, and unscrew the screws.

Line the faceplate up with the flange behind the liner, secure loosely by putting the two screws back in place, before punching all the other holes and fitting the remaining screws. Now tighten all the screws evenly.

Using the Stanley knife cut a cross in the centre of the inlet and trim out the surplus liner material, leaving a neat circular hole. Finally fit the eyeball inlet housing.

Next we cut in the skimmer faceplate using the same principle as with the inlet.

Cut the liner out from opening. Finally clip on the fascia plate.

Installing the filtration equipment & circulation pipework

First assemble the filter skid pack unit in accordance with the separate instructions supplied and place in the required position. It should be noted that if the filter pump is not to be installed in a secure waterproof housing then it should be situated not less than 2m from the pool. In all cases it should be protected by a 30mA RCD trip. **All electrical work should be carried out by a qualified electrician.**

Installing the filtration equipment & circulation pipework

The skimmer should be connected to the suction connection at the front of the pump, with a ball-valve set in front of the pump to isolate it when required. The top outlet of the pump is connected by the flexible hose to the upper of the two connections on the left hand side of the multiport valve fitted to the top of the filter (as viewed from the front, with the pump to the left of the filter). The return inlet is connected to the lower of these two connections. Again a ballvalve should be fitted at this point so you can isolate the Filtration Equipment. The roll up backwash or drain hose is fitted to the single port on the opposite side of the valve. See Figures 13,14

Figure 13.

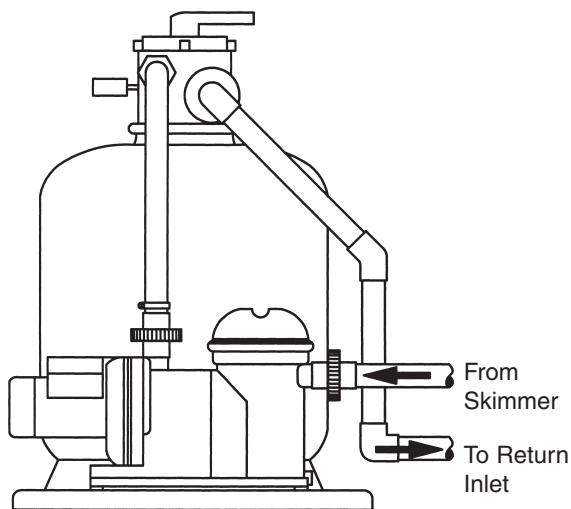
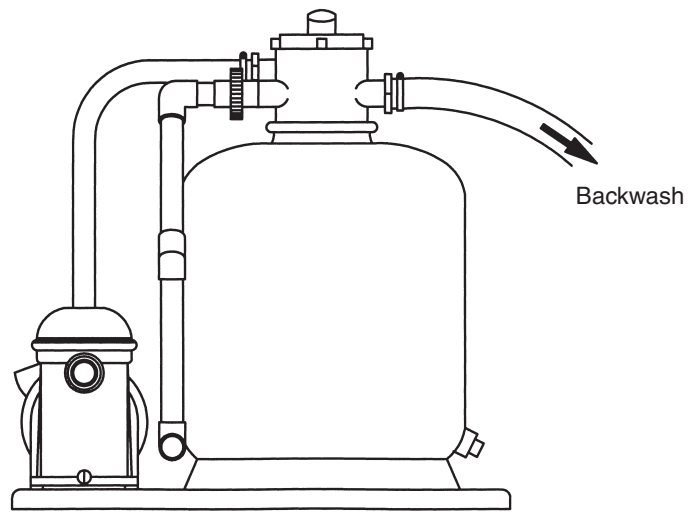


Figure 14.



Carefully consider the way in which you wish your pipework to run, remembering to keep it as simple as possible, using the minimum number of fittings . Keep horizontal pipework as low as possible and fit the pipework together dry (no adhesive, but just lightly push fit together, or it will not come undone again) first, marking the connections, so as to be sure that they will fit together properly, before using the pipe cement to make permanent connections.

Using a clean piece of rag, or preferably a small (1cm) paintbrush, wipe both the ends of the pipe and the inside of the socket end of the fitting with pipe cleaner, to remove all traces of dirt or grease. When using pipe cement coat both the outside of the pipe and the inside of the fitting evenly, then push together as soon as possible before the cement dries, which it will do very quickly, especially in hot weather. You can make a 1/4 turn to ensure that the adhesive is spread evenly.

Allow a minimum five hours for pipe adhesive to fully cure before switching on and operating the filtration equipment.

When making threaded connections, wrap PTFE tape around the male thread in a clockwise direction (5-10 turns) as viewed from the lead in end of the thread. This will ensure that the tape does not unwind as you screw in the fitting.

Now you can continue to fill the pool to 1/2 way up the skimmer opening and set up the skimmer flotation collar in accordance with the manufacturers instructions.

Fitting of top shelving

The top shelves for the Premium pool come supplied in sixteen pieces, broken down into eight inner and eight outer sections. The Relax pool just has the eight sections.

For the Premium pool place the eight inner sections around the top of the pool, with an overhang into the pool of approximately 12mm. Make sure that they all butt together perfectly and that the overhang is even all around the pool perimeter. Drill and countersink pilot holes down into the extended wall planks and fix the inner rails in place.

Repeat the procedure with the outer rails, leaving a 2-3mm expansion gap from the inner rails.

The Relax single top rails can be all placed in position in one go. These are only available with the hidden fixings kit, See Figure 15. Next, mark the holes in the brackets from underneath, and drill out pilot holes, to a depth of about 15mm. Fix the top rails in place by driving the fixing screws up from underneath.

Offer the eight pre-drilled and shaped stainless steel brackets to the underside of the shelving in each corner under the outer top rail (for the Premium Pools), and secure each one with four nuts & bolts as shown in Figure 16.

Fit the Plastic Cover Sections in place to cover up any gaps at the corners of the Top Rail sections.

Figure 15.

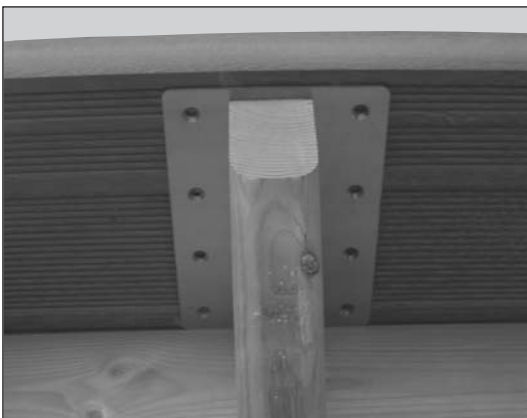
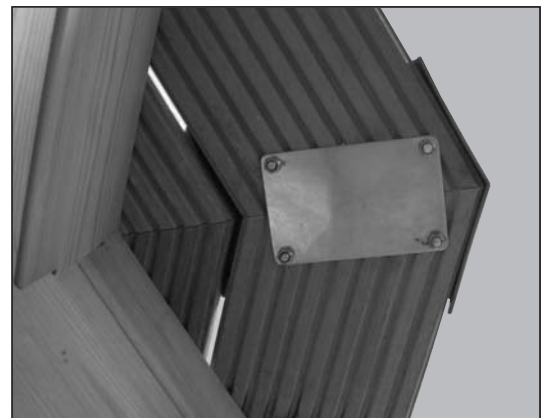


Figure 16.



Fitting of the internal stainless steel ladder

Assemble your ladder as shown in the leaflet enclosed in the ladder box. Position the ladder in the pool, directly in line with the external ladder, with the ladder sides vertical and the fixing flanges resting on the top rail. Using a felt pen mark the six flange fixing holes through onto the top rail. Remove ladder, drill the six holes 9mm diameter, replace ladder and secure using the six 8mm x 50mm stainless steel bolts with nuts and washers.

If using a hidden fittings kit, you may find one hole through the top rail is covered by the stainless steel bracket. If so you will have to fit a metal drill bit, drill through the bracket, and fit the last fixing.

Cutting the solar cover to size

Your solar cover is supplied as a rectangle and needs to be cut to shape. This is very easily done using a sharp pair of scissors. It may need to lay on the pool for 24-48 hours for all the packing creases to come out. You may have to carry out a second trim to shape at that time.

List of Wooden Pool components supplied packed on a pallet

Packed on Pallet	4m Octagonal		5m Octagonal		6m Octagonal		4m x 5.9m Stretch		4m x 6.9m Stretch	
	Length	Qty	Length	Qty	Length	Qty	Length	Qty	Length	Qty
Plank – standard length	1.87m	58	2.25m	66	2.64m	66	1.87m	50	1.87m	50
Plank – standard length							3.74m	16	4.74m	16
Plank – Extended length	2.01m	3	2.39m	3	2.78m	3	2.01m	1	2.01m	1
Plank – Extended length							3.88m	2	4.88m	2
Half plank - standard	1.87m	4	2.25m	4	2.64m	4	1.87m	2	1.87m	2
Half plank - standard							3.74m	2	4.74m	2
Half plank - extended	2.01m	4	2.39m	4	2.78m	4	2.01m	4	2.01m	4
Plank with inlet cut out	1.87m	1	2.25m	1	2.64m	1	1.87m	1	1.87m	1
Lower skimmer plank	1.87m	1	2.25m	1	2.64m	1	1.87m	1	1.87m	1
Upper skimmer plank	2.01m	1	2.39m	1,	2.78m	1	2.01m	1	2.07m	1
Vertical support plank	1.39m					8		4		6
Top shelving bracket	0.25m	10		16		16		16		20
Inside top shelving	1.625m	8	2.005m	8	2.4m	8	1.625m	6	1.625m	6
Inside top shelving							3.487m	2	4.487m	2
Outside top shelving	1.745m	8	2.125m	8	2.52m	8	1.745m	6	1.745m	6
Outside top shelving							3.607m	2	4.607m	2
Wall end capping channel	1.5m	16		16		16		16		16
Wooden step side	1.43m	2	1.75m	2	1.75m	2	1.75m	2	1.75m	2
Wooden step tread	0.54m	3		4		4		4		4
Knocking Block		4		4		4		4		4
Plastic linerlock	2.0m	8		8				6		6
	2.5m					8				
	3.6m							2		
	4.6m									2

These tables indicate the parts in a standard Premium Wooden Pool Kit with a two part top rail. If you have chosen a Relax Wooden Pool Kit with the single piece top rail, or are using a hidden fixings kit, then the parts will differ from those listed.

List of Wooden Pool components supplied packed in a pallet box

Description	Unit Of Measure	4m Octagonal	5m Octagonal	6m Octagonal	4m x 5.9m Stretch	4m x 6.9m Stretch
Stainless steel internal ladder	each	1	1	1	1	1
Standard 30 thou tile band liner	each	1	1	1	1	1
Pump 0.33HP Filter 15" Unit	each	1	1	1	1	1
Filter media 25Kg	25Kg bag	2	2	2	2	2
Skimmer wide angle throat & Return Kit	each	1	1	1	1	1
Felt underlay 2m wide	m run	8	11.5	17	11.5	14
Foam underlay 1.5m wide	m run	12.5	16	19	16	19
Underlay tape	Roll	1	1	1	1	1
Aerosol spray (440ml can)	each	2	2	2	2	2
Liner Lock Wedge Sections	each	16	16	16	16	16
Solar cover	each	1	1	1	1	1
Debris Cover	each	1	1	1	1	1
Plastic Corner Covers	each	8	8	8	8	8
Stainless steel corner brackets	each	8	8	8	8	8
1½" x 90° elbow	each	10	10	10	10	10
1½" x 45° elbow	each	5	5	5	5	5
1½" P/MT socket union	each	5	5	5	5	5
1½" Class C pipe (1.5metre)	each	8	8	8	8	8
1½" Plain socket	each	10	10	10	10	10
250ml tin pipe cement	each	1	1	1	1	1
250ml tin pipe cleaner	each	1	1	1	1	1
Roll PTFE tape	each	2	2	2	2	2
1½" Double Union Ball valves	each	2	2	2	2	2
1½" Threaded Hosetail	each	1	1	1	1	1
Hose clip	each	1	1	1	1	1
Backwash hose	each	1	1	1	1	1
Capping Channel Nails	each	80	80	80	80	80
Countersunk S/S screw – 5mm x 70mm top shelf	each	88	96	96	128	144
Countersunk S/S screw – 3.5mm x 35mm linerlock	each	70	80	100	90	100
Countersunk S/S screw - 5mm x 100mm shelf bracket/support plank	each	20	32	104	72	100
Countersunk S/S screw 5mm x 75mm - ladder tread	each	12	16	16	16	16
Countersunk S/S screw - 3.5mm x 20mm fix inlet body to wall	each	2	2	2	2	2
Countersunk S/S bolt M5 x 40mm and Nyloc nut - Corner shelf brackets	each	32	32	32	32	32
Roundhead S/S screw - Fixing Plastic corner covers	each	32	32	32	32	32
S/S bolt with nut - 10mm x 100mm ladder fixing	each	2	2	2	2	2
Chemical starter kit	each	1	1	1	1	1
Complock Pole 6'-11' extending	each	1	1	1	1	1
Deep Leaf Net	each	1	1	1	1	1
18" Brush	each	1	1	1	1	1
Standard Vacuum Head	each	1	1	1	1	1
9m Vacuum Hose	each	1	1	1	1	1
Instruction DVD	each	1	1	1	1	1
Installation manual	each	1	1	1	1	1
Owners manual	each	1	1	1	1	1
Wooden support brace (Code defines)	each				4	6
Galvanised steel "T" brace (Code defines)	each				4	4

