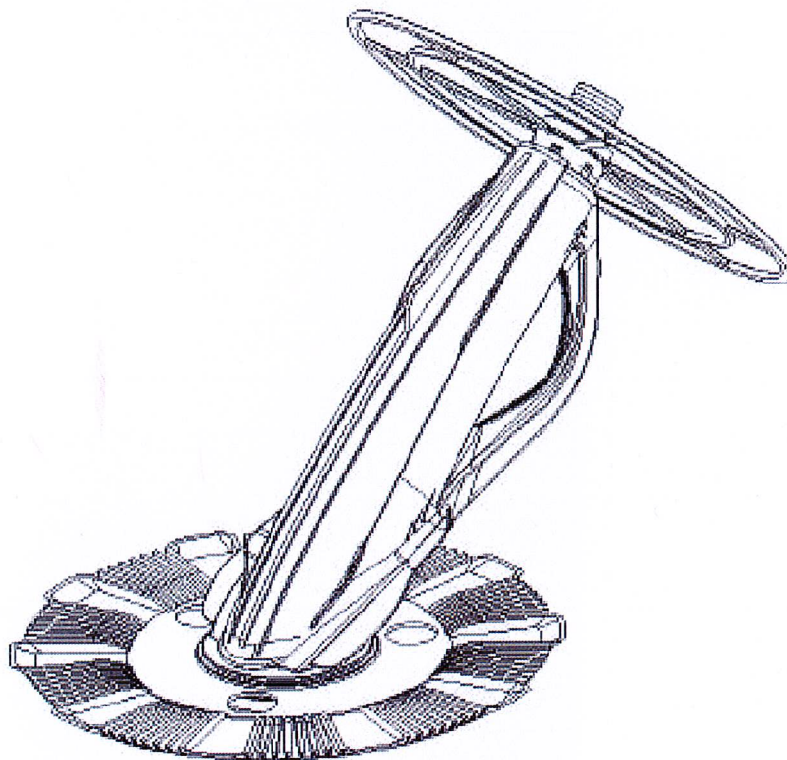



## OWNER'S MANUAL


### INSTALLATION, OPERATION & PARTS




DV5000

Basic safety precautions should always be followed, including the following: Failure to follow instructions can cause severe injury and/or death.

 This is the safety-alert symbol. When you see this symbol on your equipment or in this manual, look for one of the following signal words and be alert to the potential for personal injury.

 **WARNING** warns about hazards that **could** cause serious personal injury, death or major property damage and if ignored presents a potential hazard.

 **CAUTION** warns about hazards that **will** or **can** cause minor or moderate personal injury and/or property damage and if ignored presents a potential hazard. It can also make consumers aware of actions that are unpredictable and unsafe.

The **NOTICE** label indicates special instructions that are important but not related to hazards.

### SAVE THIS INSTRUCTION MANUAL

Hayward Pool Products  
Phone: 908-351-5400  
[www.haywardnet.com](http://www.haywardnet.com)

Hayward Pool Products Canada  
1-888-238-7665  
[www.haywardcanada.com](http://www.haywardcanada.com)

Hayward Pool Products Europe  
[www.hayward.fr](http://www.hayward.fr)



**▲ WARNING** - Read and follow all instructions in this owner's manual and on the equipment. Failure to follow instructions can cause injury.

**▲ WARNING** - This document should be given to the owner of the swimming pool and must be kept by the owner in a safe place.

**▲ WARNING** - This appliance is not intended for use by persons with reduced physical, sensory or mental capabilities, or lack of experience and knowledge, unless they have been given supervision or instruction concerning use of the appliance by a person responsible for their safety.

**▲ WARNING** - Do not let children use or play with the cleaner.

**▲ WARNING** - Use only genuine Hayward replacement parts.

**▲ CAUTION** - Regularly inspect the cleaner and hoses; do not use if damaged or if any rough edges are visible on the cleaner as this can cause damage to the pool.

**▲ WARNING** - Never operate the cleaner when there are people in the pool.

**▲ CAUTION** - Vinyl liners are subject to deterioration or damage due to age, the effects of chemicals, corrosion or failure of the supporting walls; as well as improper installation. Before installing your pool vacuum, inspect the interior of your pool carefully. If your vinyl liner is brittle or has stones, roots, wrinkles, metal corrosion in contact with the underside of the liner, or has damage to the base material or supporting walls, do not install the pool vacuum before having a qualified pool professional perform the necessary repairs or modifications. HAYWARD will not be responsible for liner damage caused by a cleaner out of warranty or one that has been used in a pool having an aged or deteriorated liner. You are responsible for liner damage if you use the pool vacuum under these conditions.

**USE ONLY HAYWARD GENUINE REPLACEMENT PARTS**

---



# Disc Suction Cleaner

## OWNER'S MANUAL

Congratulations on your purchase of your automatic suction pool cleaning system from Hayward. Your Cleaner is the smart, efficient way to clean your pool. Hayward Disc Cleaners are powered by your pool's filter system and are designed to work well with most systems. Therefore the performance of the Cleaner in your pool will be relative to that power source. Because the operation and performance of the Cleaner are system reliant, there is a remote possibility that a "service call" may be necessary to complete the proper installation of your Cleaner. Because this is an installation related call, it will be at the consumer's expense. Also, one or more of the accessories designed for the Cleaner, including additional hose sections (if needed), might be applicable to your installation. Consult your Hayward dealer for the price and availability. For Technical Assistance, call Hayward at:

USA: 908-355-7995

Canada: 1-888-238-7665

Europe: [www.hayward.fr](http://www.hayward.fr)

**TO REGISTER YOUR CLEANER IN OUR DATABASE, GO TO:**

USA: [www.haywardnet.com](http://www.haywardnet.com) Canada: [www.haywardcanada.com](http://www.haywardcanada.com) Europe: [www.hayward.fr](http://www.hayward.fr)

**For Your Records**



Record the following information for your convenience:

1) Purchase Date

---

2) Serial Number

---

**Note**

Hayward Disc Cleaners should not be used to clean the pool for spring start-up. On those occasions, where your pool is subjected to an abnormal debris load, maintenance steps should be taken to return the pool to "pre-installations" condition.

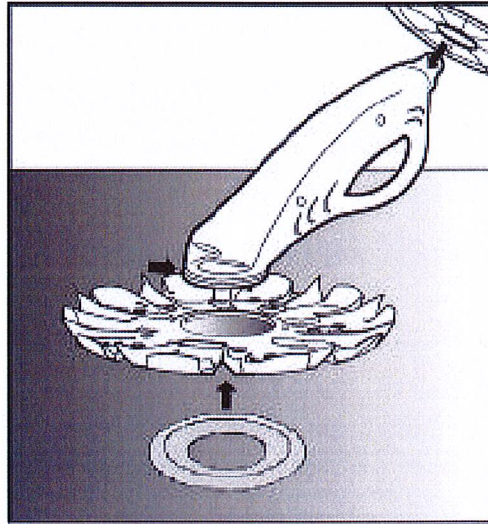
---

**USE ONLY HAYWARD GENUINE REPLACEMENT PARTS**

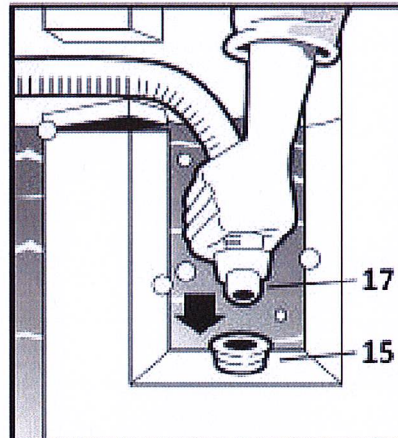
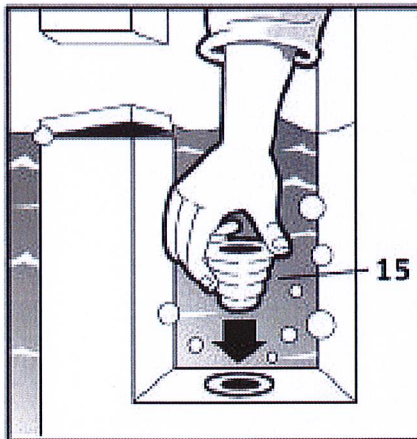
---

## Installation

1. Slide the Disc onto the cleaner body insuring the side marked "UP" is up. Start one side of the Disc inner edge in the Foot groove and pull and flex the Disc until its inner edge is fully in the groove and the Disc rotates easily. Slide the Wear Ring onto the Foot bottom flange, insuring the stepped side is down. Flex the top edge over the flange until it is completely above it and the Ring rotates freely.



2. Turn off your pump.
3. If connecting through your skimmer, insert the Adapter into the Skimmer outlet and the first hose through the Skimmer inlet and its male end into the Adapter.

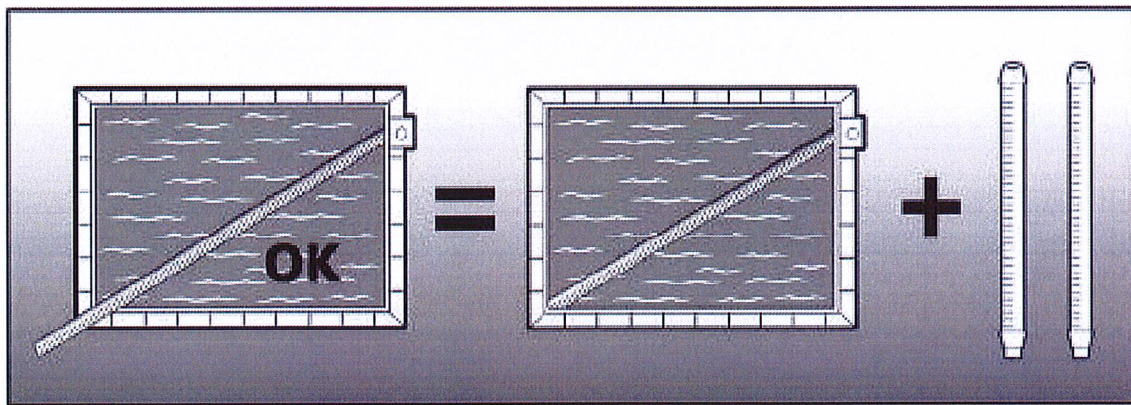


4. If connecting through your dedicated suction outlet, lift the cover and insert the first hose male end directly into the outlet.

**USE ONLY HAYWARD GENUINE REPLACEMENT PARTS**

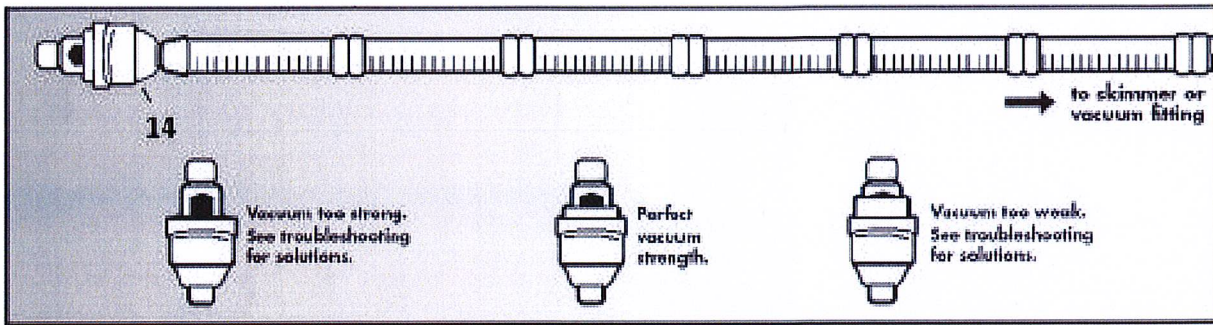


5. Insure adequate length of hose is connected together to cover your pool.

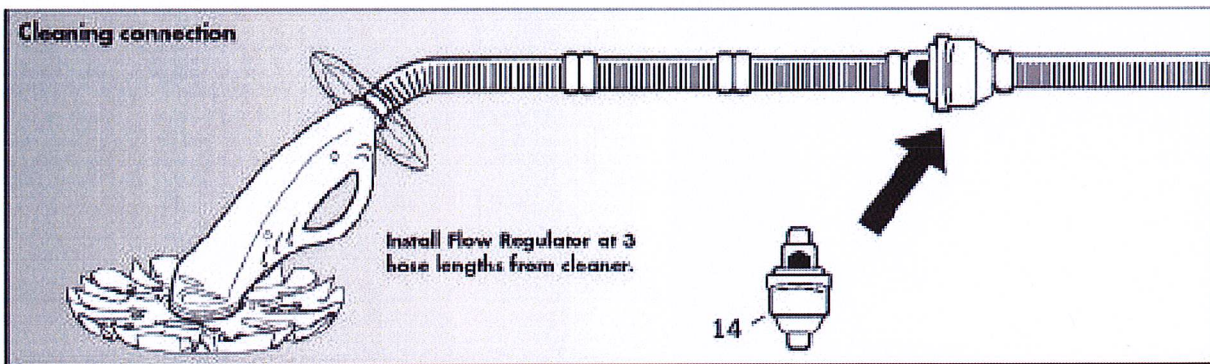


6. Attach the Flow Regulator with its plastic lid on top to the end of the hoses. Turn your pump on making sure the Flow Regulator remains below the water surface. Wait until your pump has removed all air from the hoses and is operating normally. While the Flow Regulator is under water, observe its setting triangle opening. Adjust your balance between bottom return and skimmer/dedicated outlet until the triangle's second rib is just visible. Refer to the indicator label on the Flow Regulator. Skip the next step. If your system cannot provide sufficient flow to the cleaner, as indicated by the Regulator, it may not clean adequately. You should contact a local pool service company or Hayward Technical Service for assistance. If you cannot reduce flow to the cleaner, as indicated by the Regulator, go to Step 7.

**USE ONLY HAYWARD GENUINE REPLACEMENT PARTS**

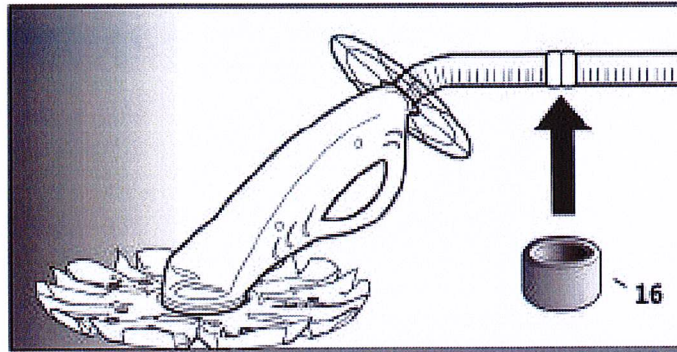


7. If you cannot adjust flow down to the optimum point on the Flow Regulator, you will need to insert the Regulator in line with the hoses (without lid). This can be at any point along the flow path from the cleaner to the skimmer/dedicated outlet but may be initially placed between the third and fourth hoses. The Regulator must remain below the water surface at all times in order for the cleaner to work properly.

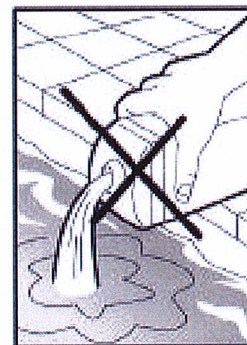
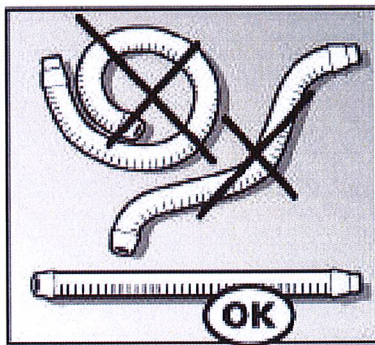


**USE ONLY HAYWARD GENUINE REPLACEMENT PARTS**

8. If your cleaner does not move around your pool with the Disc in full contact with the bottom, approximately 45 degrees, it may require installation of the Hose Weight. Start by placing the Weight at the joint between the first and second hoses from the cleaner. Observe its movement over your entire pool before changing. Adjust its location as necessary to achieve good contact with the bottom.



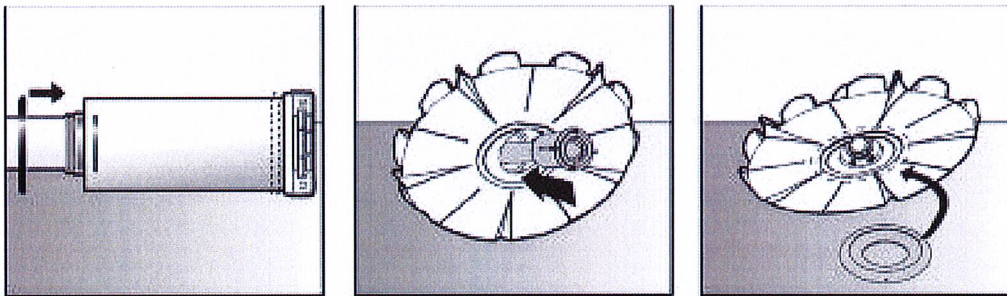
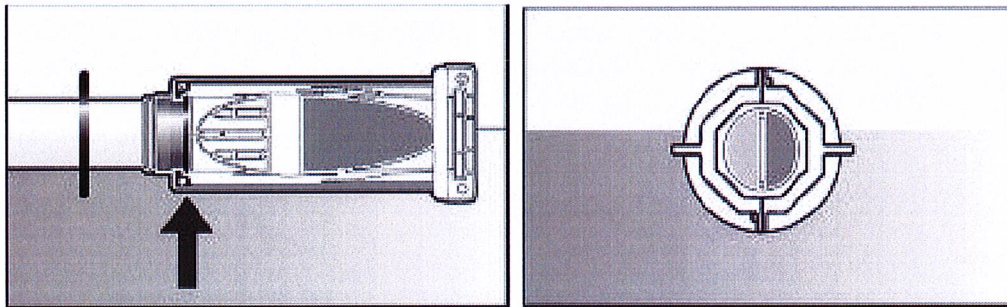
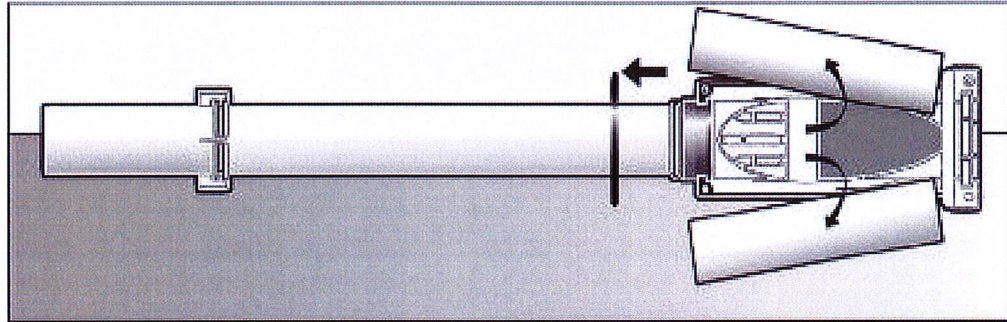
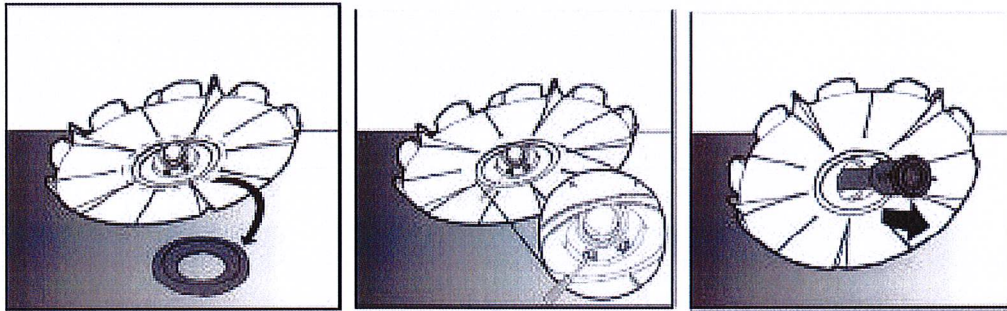
9. When storing your hose, insure each section is kept straight. Residual curvature in the hose will reduce proper function of the cleaner. Do not add chemicals to your pool while the cleaner is in the water.



10. To replace the Diaphragm, first remove the Wear Ring by flexing it off the Foot flange on which it is mounted. Remove the Retainer by prying one removal tab toward the center with a flat screwdriver and out. You can also grasp the tab with a pair of pliers and twist and pull the Retainer out of the Foot. Remove the Cassette Assembly. Slide the O-Ring off the Cassette. Separate the halves of the Cassette and pull the Diaphragm off the internal tube. Reverse the removal process to ready the cleaner for operation. Insure the Diaphragm is installed with its O-Ring on the upper end.

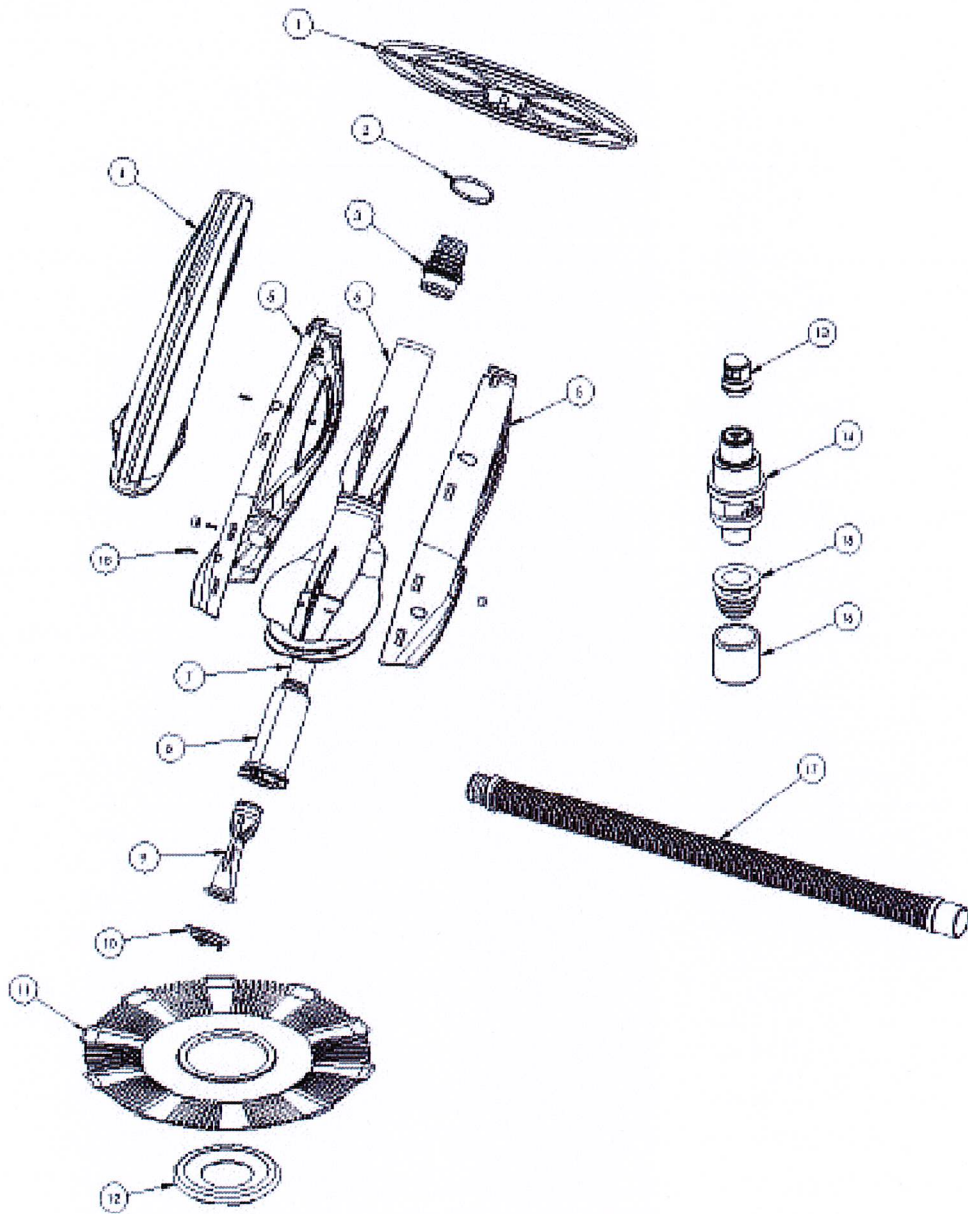
**USE ONLY HAYWARD GENUINE REPLACEMENT PARTS**





**Replacement Parts**

**USE ONLY HAYWARD GENUINE REPLACEMENT PARTS**



**SOME COMPONENTS SHOWN MAY NOT BE PART OF EVERY MODEL**

**USE ONLY HAYWARD GENUINE REPLACEMENT PARTS**

| <b>Ref. No.</b> | <b>Part No.</b> | <b>Description</b>    |
|-----------------|-----------------|-----------------------|
| 1               | DCX110          | Halo                  |
| 2               | DCX334          | Band                  |
| 3               | DCX212          | Assy - Swivel         |
| 4               | DCX332          | Top Cover             |
| 5               | DCX353          | Body Halves           |
| 6               | DCX315          | Assy – Diaphragm Body |
| 7               | DCX108          | Tube - Internal       |
| 8               | DCX105          | Cassette Assy         |
| 9               | DCX105C         | Diaphragm             |
| 10              | DCX106          | Retainer              |
| 11              | DCX152          | Disc                  |
| 12              | DCX150          | Ring - Wear           |
| 13              | DCX170          | Diverter - Eyeball    |
| 14              | DCX180          | Regulator Flow        |
| 15              | DCX172          | Adapter - Hose        |
| 16              | DCX174          | Weight - Hose         |
| 17              | DC176           | Hose - Connector, M/F |
| 18              | DCX344          | Set – Screws + Plugs  |

**USE ONLY HAYWARD GENUINE REPLACEMENT PARTS**



## Troubleshooting

### **My Cleaner Doesn't Start:**

- Check that the pump is on
- Check that the filter, the pump basket and the skimmer are clean
- Check the power of the pump. If it is too high, close another vacuum line
- Check that there is no leak at the pipe or that the hose is correctly plugged

### **My Cleaner Doesn't Move:**

- Check the seal : the "UP" indication must be on the top
- Check the balance of the flow between the cleaner and the main drain

### **My Cleaner is Stuck:**

- The swivel head must be free to turn
- Check the flow with the Regulator

### **The Cleaner Doesn't Clean the Entire Pool:**

- Check the length of the hose
- The hose must be stocked straight
- Install the Eyeball Diverter(s)

---

**USE ONLY HAYWARD GENUINE REPLACEMENT PARTS**



## Warranty

### HAYWARD® LIMITED WARRANTY

To original purchasers of this equipment, Hayward Pool Products, Inc., warrants its products to be free from defects in materials and workmanship for a period of ONE (1) year from the date of purchase. Hoses, seals, gauges, baskets and o-rings are warranted for defects in materials and workmanship for a period of thirty days.

Parts which are found defective during the warranty period, except as a result of freezing, flood, fire, accident, lightning, negligence, improper installation, use, or care, shall be repaired or replaced, at our option.

Proof of purchase is required for warranty service. To obtain warranty service or repair, please contact the place of purchase or the nearest authorized Hayward warranty service center. For additional Hayward dealer or service center information, please visit [www.haywardpool.com](http://www.haywardpool.com). No returns may be made directly to the factory without the express written authorization of Hayward Pool Products, Inc.

Hayward shall not be responsible for cartage, removal and/or reinstallation labor or any other such costs incurred in obtaining warranty replacements.

The Hayward Pool Products warranty does not apply to components manufactured by others. For such products, the warranty established by the respective manufacturer will apply.

Some states do not allow a limitation on how long an implied warranty lasts, or the exclusion or limitation of incidental or consequential damages, so the above limitation or exclusion may not apply to you.

This warranty gives you specific rights which may vary by state. See your warranty for details. This warranty is void where prohibited. This warranty is void where prohibited. This warranty is void where prohibited.