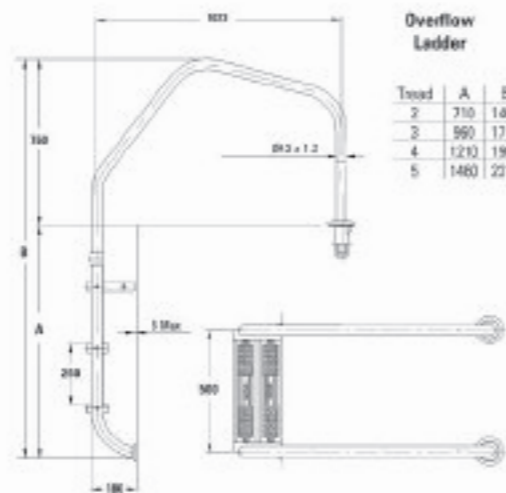


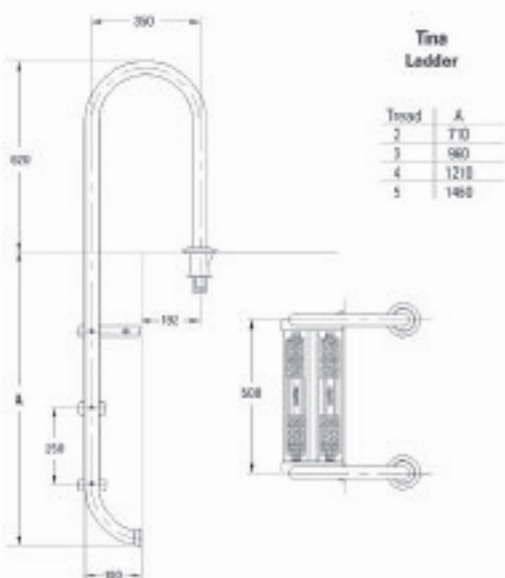
Standard Ladder

Tread	A
2	710
3	960
4	1210
5	1460



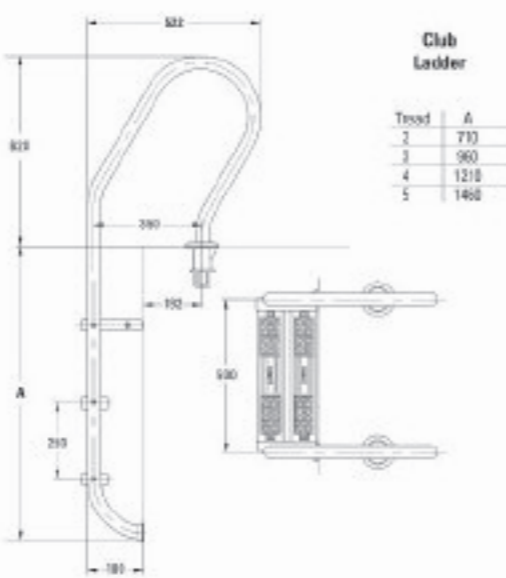
Overflow Ladder

Tread	A	B
2	710	1460
3	960	1710
4	1210	1960
5	1460	2210



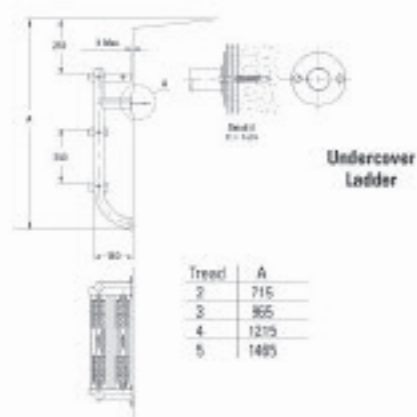
Tine Ladder

Tread	A
2	710
3	960
4	1210
5	1460



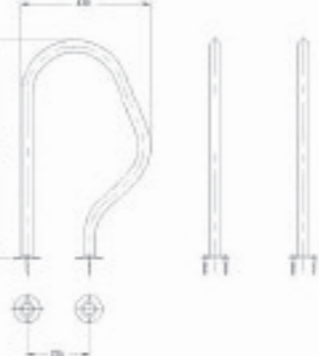
Club Ladder

Tread	A
2	710
3	960
4	1210
5	1460



Undercover Ladder

Tread	A
2	715
3	965
4	1215
5	1465



If you should require further technical information please do not hesitate to contact us.

11.11.04

This literature is intended as a guide. The Company reserves the right to change the specification without notice.



Certikin
International Ltd



Certikin
International Ltd
LADDERS

FEATURES

- Manufactured in AISI 316 stainless steel as standard
- All ladders supplied with non-slip treads - suitable for both domestic and commercial applications
- Five styles of ladders available in a range of sizes to cover all your requirements
- A scratch-resistant film, removable on installation, protects both treads and escutcheons
- Certikin ladders come complete with all components packaged, in one box, ready to install for easy storage and handling
- Double width top tread on all ladders

Certikin has built an enviable reputation for high quality and technical innovation in the field of swimming pool equipment. This reputation for quality is reflected in our latest range of swimming pool ladders.



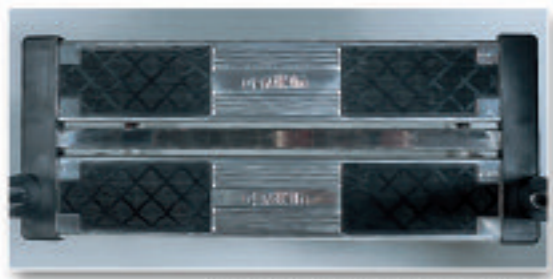
CERTIKIN LADDERS

Engineered in the highest quality grade 316 stainless steel, suitable for use in both fresh water and salt water pools, the Certikin ladders are the result of a programme of research and development into ultimate durability, optimum safety and maximum comfort. Carefully designed ergonomics non-slip stainless steel treads. The pinch anchor fixing is produced to Certikin's unique design.

Every Certikin ladder is constructed using 43mm (1.7") diameter stainless steel tube, with stainless steel treads and escutcheons which are coated in a protective scratch resistant film, to be removed after installation. This high specification has enabled Certikin to offer one superior quality range of ladders, ruggedly constructed to withstand the rigours of both commercial and domestic use.

There are five styles of ladder in the new Certikin range, to cover both commercial and domestic applications, and all are available with two, three, four or five treads.

Each ladder is supplied complete with all components packed in one box.



Double Width Non-slip stainless steel treads



CK17FA

CK17

CK17F



Club



Tina



Overflow



Standard



Undercover